



ZAWORY SEKWENCYJNE

SEQUENCE VALVE (Pilot Operated, Balanced Piston)

Ordering Code: **SP-11A-X-Y-Z**

Control Option:
Maximum extension
from locating shoulder.
(L Control shown)

Ø19

22.2 Hex.
(7/8 inch)

Drain ③

M20x1.5

Sequence ②

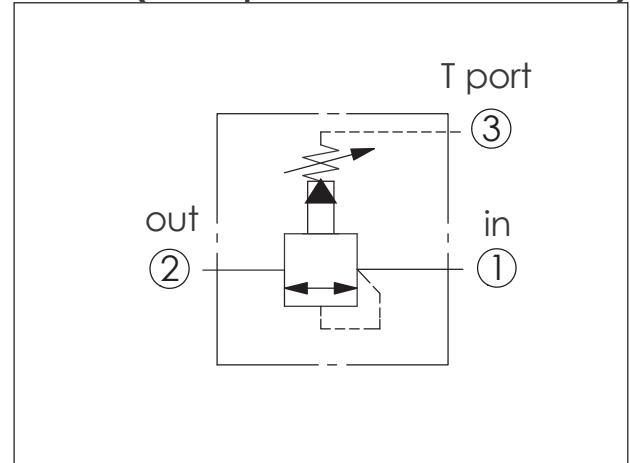
Inlet ①

L=64
K=70

35.1

Locating
Shoulder

UNIT:mm

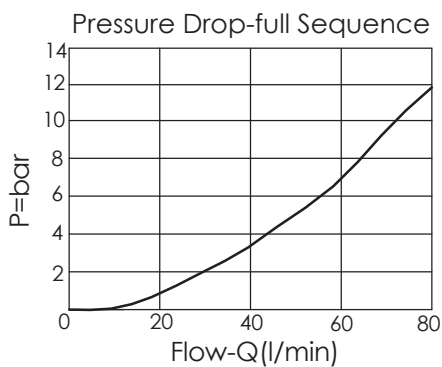


TECHNICAL DATA

Max. Operating pressure:	350	bar
Rated flow:	60	l/min
Cavity-Tooling:	11A-3	
Installation torque:	40-50	Nm
Weight:	0.15	kg
Maximum Leakage (33 cc/min./70 bar)		

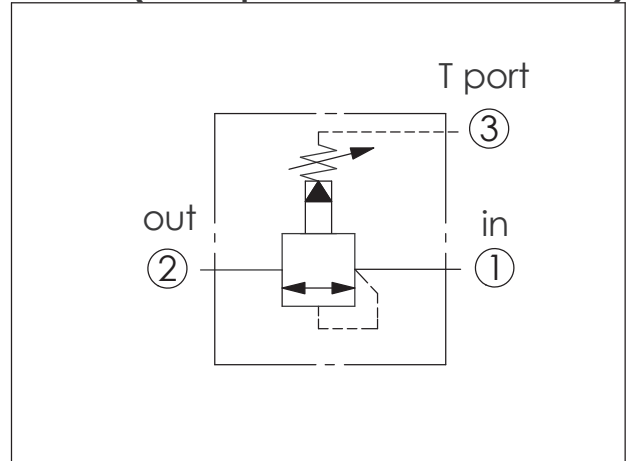
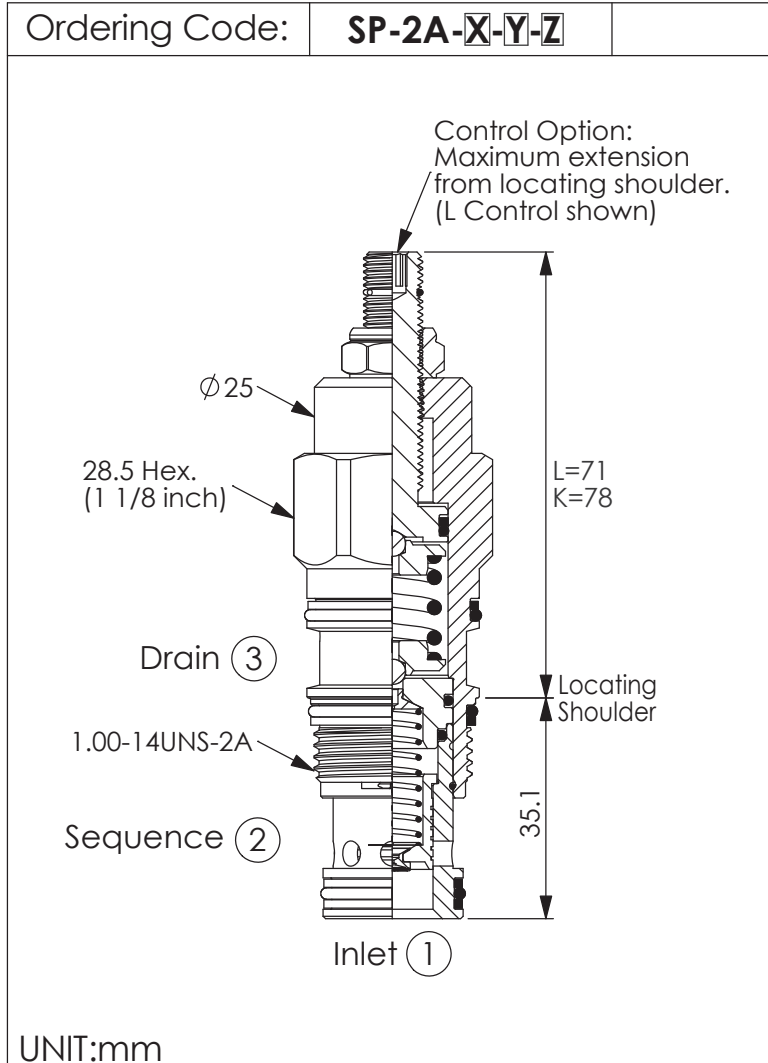
X	OPERATION	
30	Standard Type	

Z	OPTIONS	
L	Leakproof hex. socket screw.	
LP	Leakproof hex. socket screw. With stainless steel external metal components	
K	Handknob with Lock Knob.	
C	Stainless Steel Tamper Resistant Cover.	
G	Wrench Adjustment	

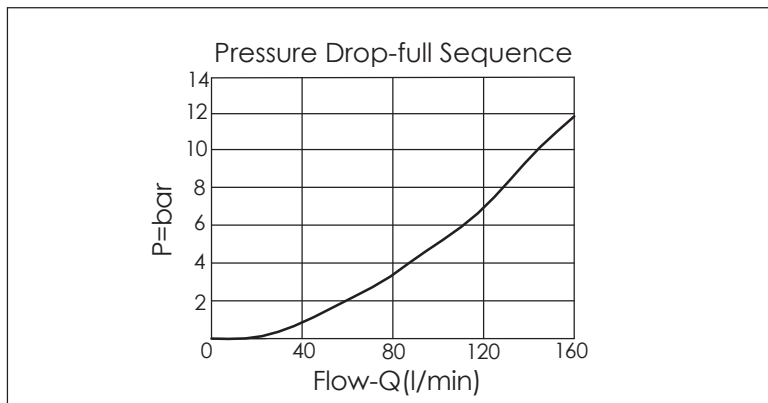


Y	SPRINGS	
	ADJUSTMENT RANGES	
A	7 to 210 bar	(70 bar Standard Setting)
B	3.5 to 105 bar	(70 bar Standard Setting)
C	10.5 to 420 bar	(70 bar Standard Setting)
D	1.7 to 55 bar	(28 bar Standard Setting)
E	1.7 to 28 bar	(14 bar Standard Setting)
N	4 to 55 bar	(28 bar Standard Setting)
Q	4 to 28 bar	(14 bar Standard Setting)
W	10.5 to 315 bar	(70 bar Standard Setting)

SEQUENCE VALVE (Pilot Operated, Balanced Piston)



TECHNICAL DATA		
Max. Setting:	420	bar
Rated flow:	120	l/min
Cavity-Tooling:	2A-3	
Installation torque:	60-70	Nm
Weight:	0.28 (Z:L)	kg
· Maximum Leakage (50 cc/min./70 bar) (46 cSt, 40°C)		

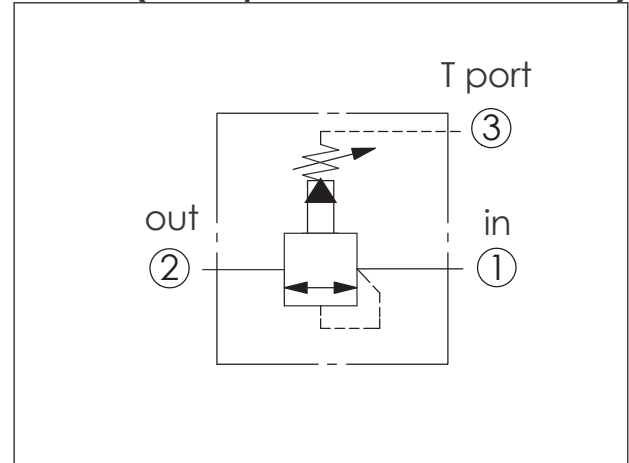
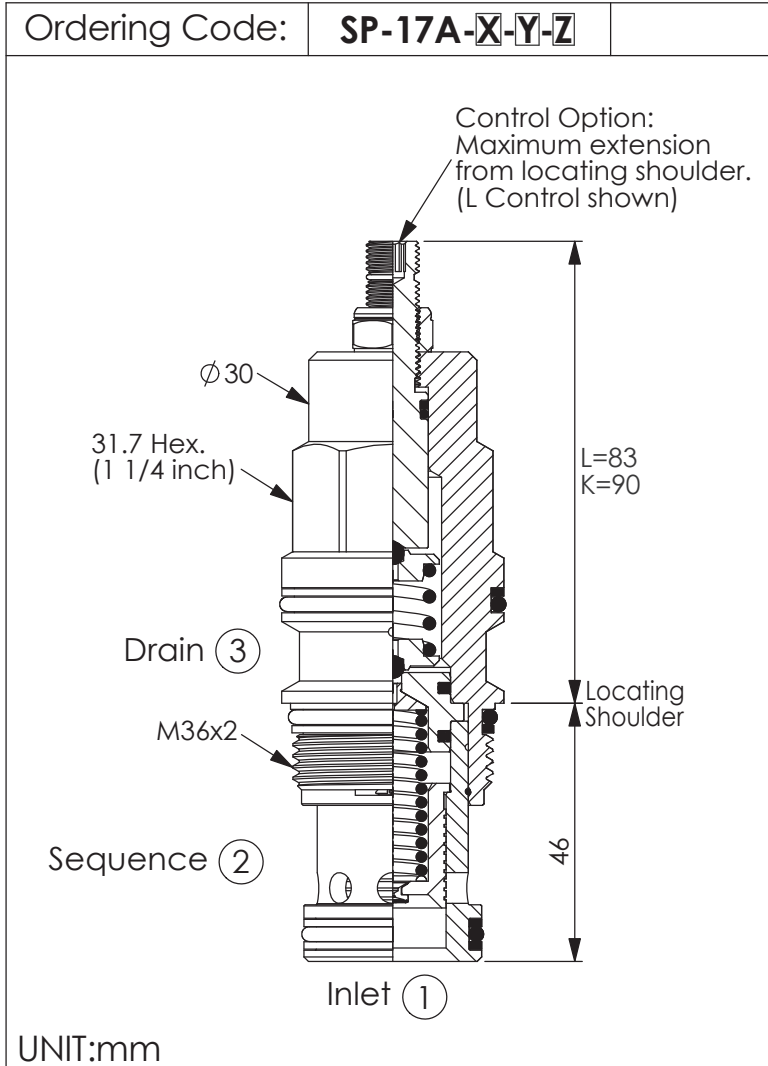


X	OPERATION	
30	Standard Type	

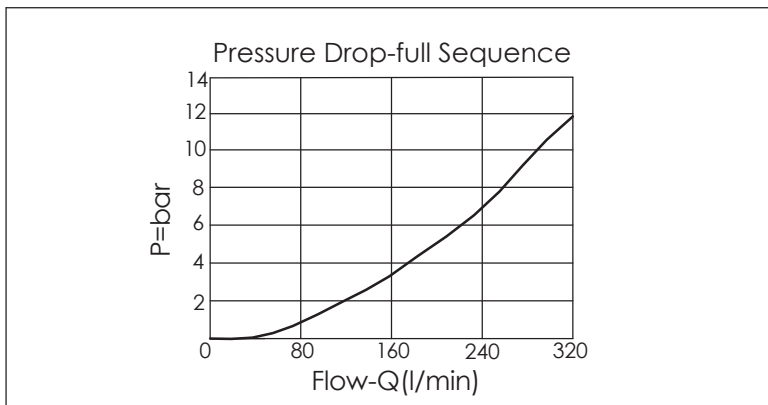
Y	SPRINGS	
	ADJUSTMENT RANGES	
A	7-210 bar	(70 bar Standard Setting)
B	3.5-105 bar	(70 bar Standard Setting)
C	10.5-420 bar	(70 bar Standard Setting)
D	1.7-55 bar	(28 bar Standard Setting)
E	1.7-28 bar	(14 bar Standard Setting)
N	4-55 bar	(28 bar Standard Setting)
Q	4-28 bar	(14 bar Standard Setting)
W	10.5-315 bar	(70 bar Standard Setting)

Z	OPTIONS	
L	Leakproof hex. socket screw.	
K	Handknob with Lock Knob.	
C	Stainless Steel Tamper Resistant Cover.	

SEQUENCE VALVE (Pilot Operated, Balanced Piston)



TECHNICAL DATA		
Max. Setting:	420	bar
Rated flow:	240	l/min
Cavity-Tooling:	17A-3	
Installation torque:	200-215	Nm
Weight:	0.62 (Z:L)	kg
Maximum Leakage (66 cc/min./70 bar) (46 cSt, 40°C)		

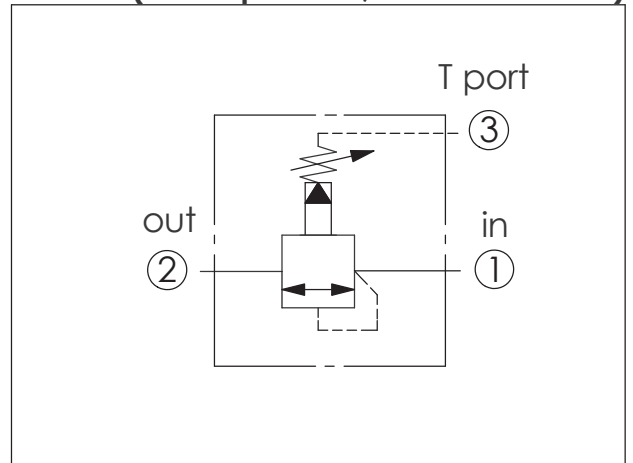
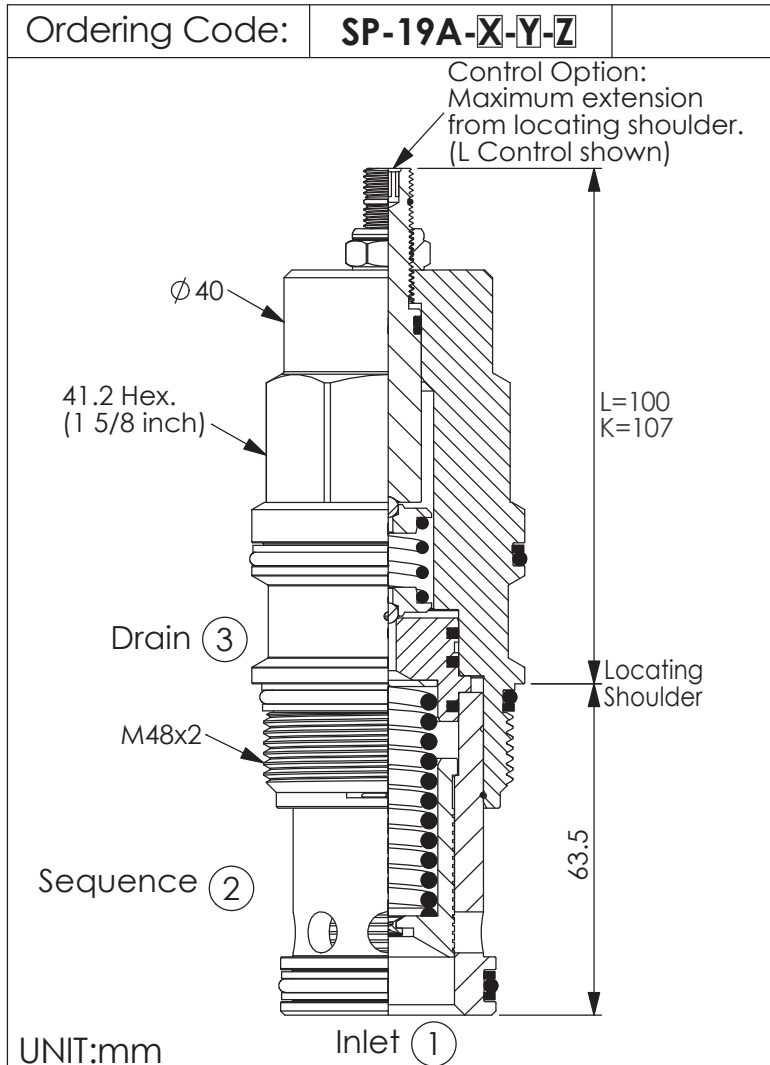


X	OPERATION	
30	Standard Type	

Y	SPRINGS	
	ADJUSTMENT RANGES	
A	7-210 bar	(70 bar Standard Setting)
B	3.5-105 bar	(70 bar Standard Setting)
C	10.5-420 bar	(70 bar Standard Setting)
D	1.7-55 bar	(28 bar Standard Setting)
E	1.7-28 bar	(14 bar Standard Setting)
N	4-55 bar	(28 bar Standard Setting)
Q	4-28 bar	(14 bar Standard Setting)
W	10.5-315 bar	(70 bar Standard Setting)

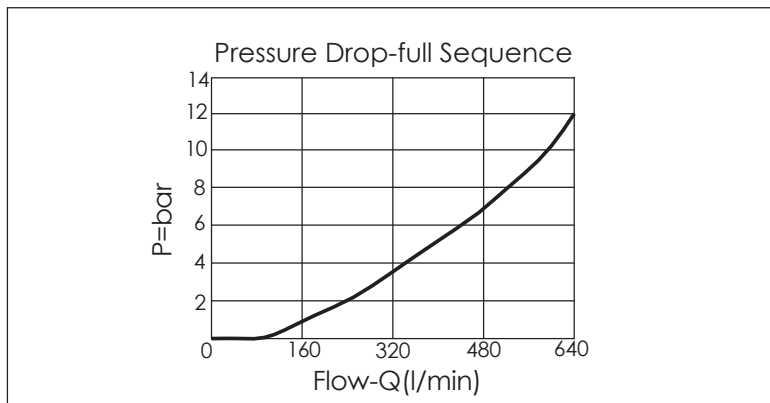
Z	OPTIONS	
L	Leakproof hex. socket screw.	
K	Handknob with Lock Knob.	
C	Stainless Steel Tamper Resistant Cover.	

SEQUENCE VALVE (Pilot Operated, Balanced Piston)



TECHNICAL DATA

Max.Operating pressure:	350	bar
Rated flow:	480	l/min
Cavity-Tooling:	19A-3	
Installation torque:	465-500	Nm
Weight:	1.44	kg
Maximum Leakage (82 cc/min./70 bar)		



X	OPERATION	
30	Standard Type	

Y	SPRINGS	
	ADJUSTMENT RANGES	
A	7 to 210 bar	(70 bar Standard Setting)
B	3.5 to 105 bar	(70 bar Standard Setting)
C	10.5 to 420 bar	(70 bar Standard Setting)
D	1.7 to 55 bar	(28 bar Standard Setting)
E	1.7 to 28 bar	(14 bar Standard Setting)
N	4 to 55 bar	(28 bar Standard Setting)
Q	4 to 28 bar	(14 bar Standard Setting)
W	10.5 to 315 bar	(70 bar Standard Setting)

Z	OPTIONS	
L	Leakproof hex. socket screw.	
K	Handknob with Lock Knob.	
C	Stainless Steel Tamper Resistant Cover.	

SEQUENCE VALVE

Ordering Code: **SQ-08W-X-Y-Z**

Control Option:
Maximum extension
from locating shoulder.
(L Control shown)

$\phi 25$

25.4 Hex.
(1.0 inch)

3/4"-16UNF-2A

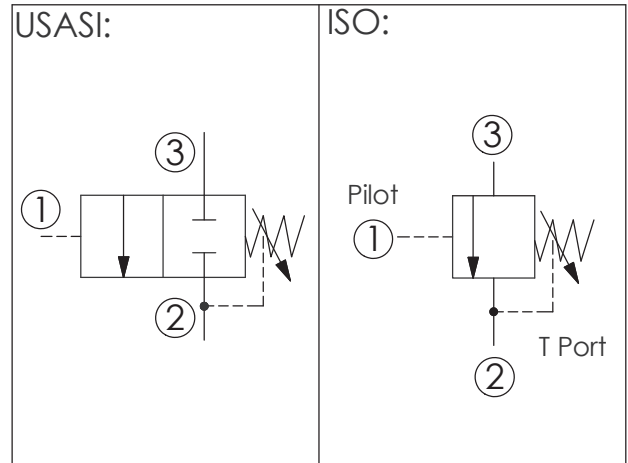
L=78
K=84

Locating
Shoulder

42

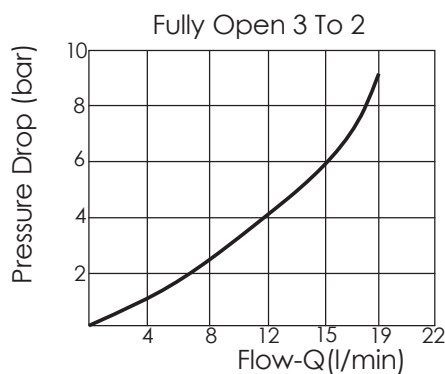
③
②
①

UNIT:mm



TECHNICAL DATA

Max. pressure:	240	bar
Rated flow:	15	l/min
	See Performance Chart	
Cavity-Tooling:	08W-3	
Installation torque:	25-35	Nm
Weight:	0.23	kg



X

OPERATION

33

External Pilot,
Internal Drain

Y

SPRINGS

ADJUSTMENT RANGES

B

10.0 to 90.0 bar

D

7.0 to 42.0 bar

E

3.0 to 21.0 bar

K

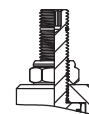
20.0 to 166.0 bar

Z

OPTIONS

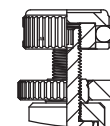
L

Leakproof hex.
socket screw.



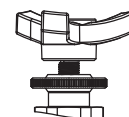
K

Handknob with
Lock Knob.



T

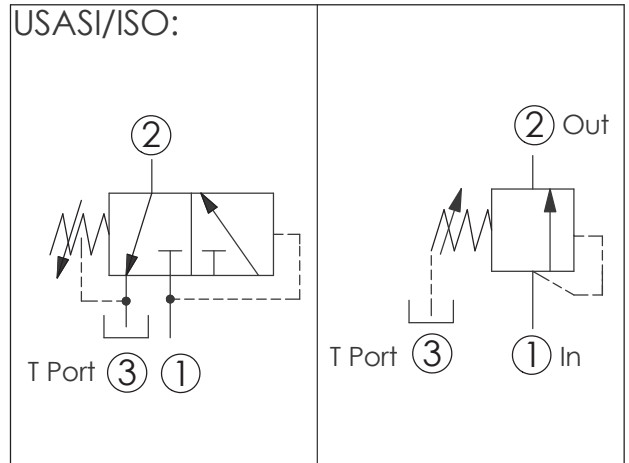
Three-winged
Handknob Kit.



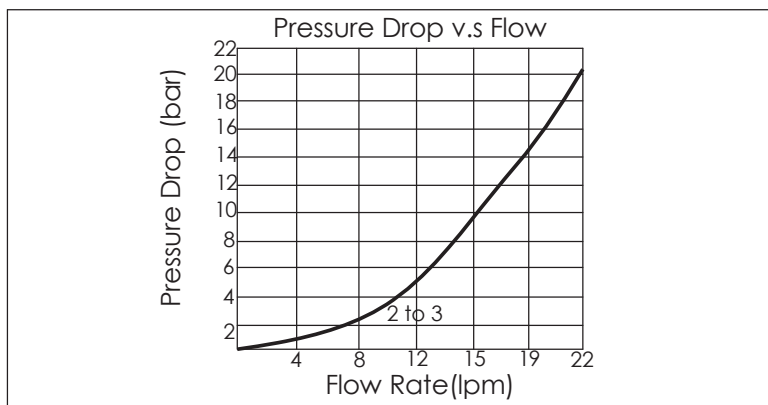
SEQUENCE VALVE

Ordering Code: **SQ-08W-X-Y-Z**

UNIT:mm



TECHNICAL DATA		
Max. pressure:	240	bar
Rated flow:	22	l/min
Cavity-Tooling:	08W-3	
Installation torque:	25-35	Nm
Weight:	0.23	kg



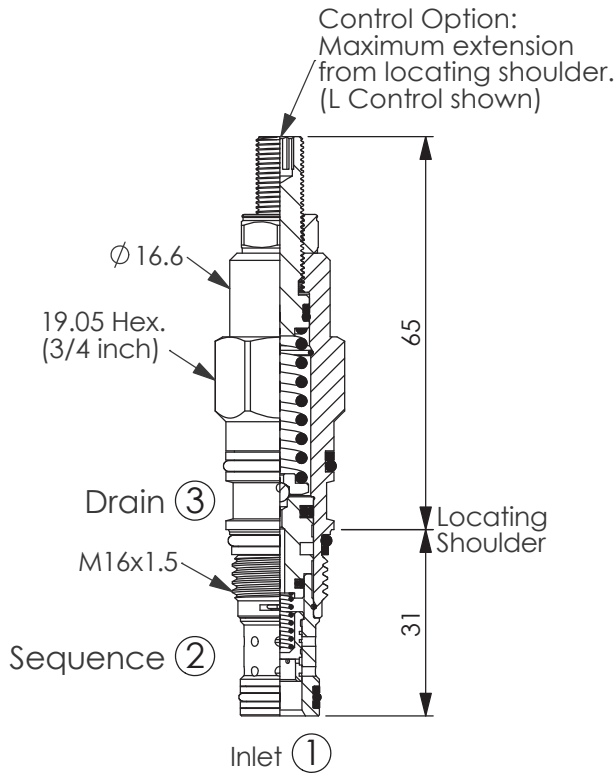
X	OPERATION	
30	Internal Pilot & Drain	

Y	SPRINGS	
	ADJUSTMENT RANGES	
B	10.0 to 90.0 bar	
D	7.0 to 42.0 bar	
E	3.0 to 21.0 bar	
K	20.0 to 166.0 bar	

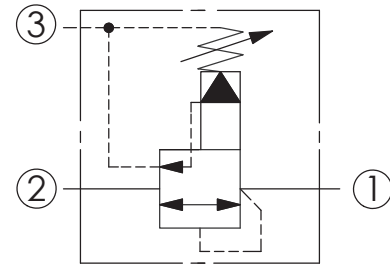
Z	OPTIONS	
L	Leakproof hex. socket screw.	
T	Three-winged Handknob Kit.	

SEQUENCE VALVE (Pilot Operated, Kick-down)

Ordering Code: **SQ-163A-X-Y-Z**

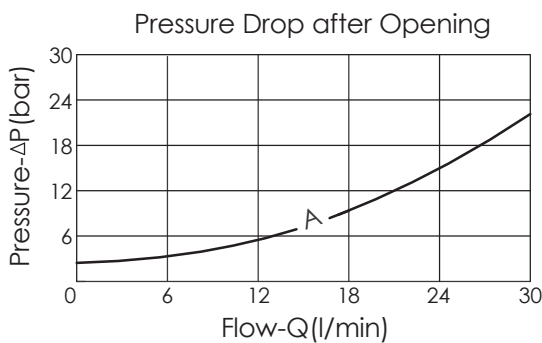


UNIT:mm



TECHNICAL DATA

Max. Setting:	420	bar
Rated flow:	30	l/min
Cavity-Tooling:	163A-3	
Installation torque:	27-33	Nm
Weight:	0.11 (Z:L)	kg



X OPERATION

30 Standard Type

- Response Time-Typical (25 ms)
- Maximum Leakage (30 cc/min./70 bar) (46 cSt, 40°C)

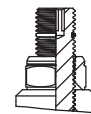
Y SPRINGS

ADJUSTMENT RANGES

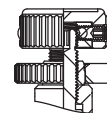
A	5-210 bar (70 bar Standard Setting)	
B	5-105 bar (70 bar Standard Setting)	
C	5-420 bar (70 bar Standard Setting)	
N	5-55 bar (28 bar Standard Setting)	
Q	5-28 bar (14 bar Standard Setting)	
W	5-315 bar (70 bar Standard Setting)	

Z OPTIONS

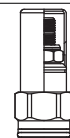
L Leakproof hex. socket screw.



K Handknob with Lock Knob.

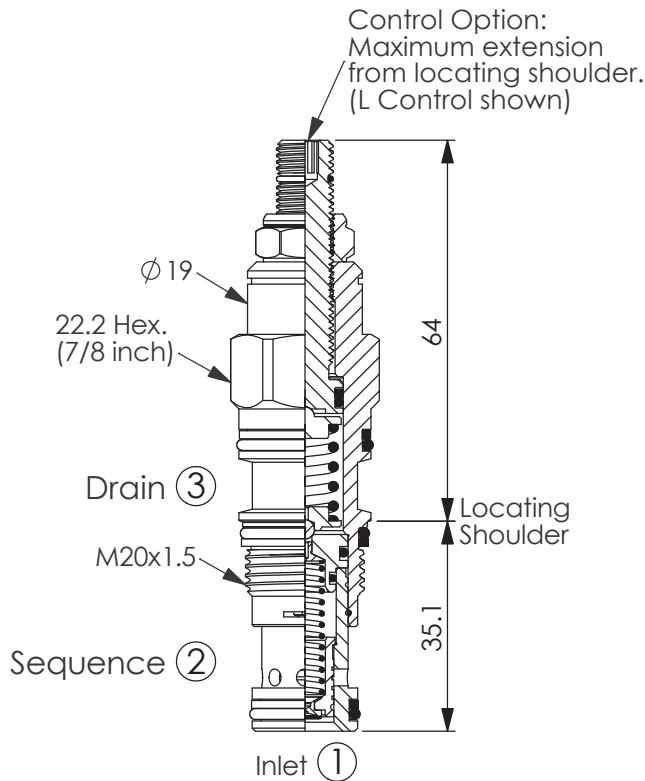


C Stainless Steel Tamper Resistant Cover.

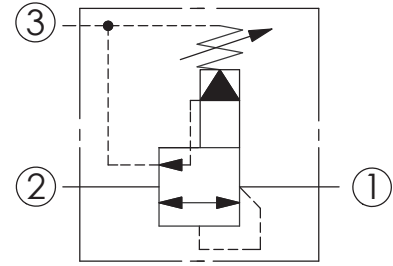


SEQUENCE VALVE (Pilot Operated, Kick-down)

Ordering Code: **SQ-11A-X-Y-Z**

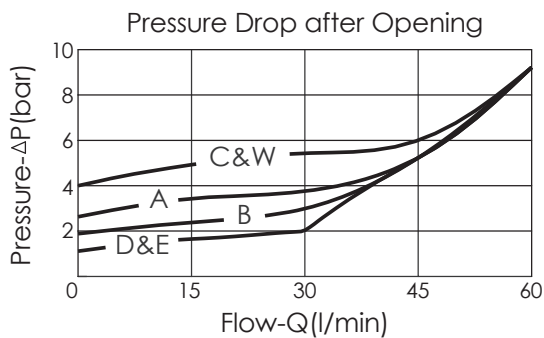


UNIT:mm



TECHNICAL DATA

Max. Setting:	420	bar
Rated flow:	60	l/min
Cavity-Tooling:	11A-3	
Installation torque:	40-50	Nm
Weight:	0.16 (Z:L)	kg



X OPERATION

30 Standard Type

- Response Time-Typical (25 ms)
- Maximum Leakage (33 cc/min./70 bar)
(46 cSt, 40°C)

Y SPRINGS

ADJUSTMENT RANGES

A	7-210 bar (70 bar Standard Setting)
B	3.5-105 bar (70 bar Standard Setting)
C	10.5-420 bar (70 bar Standard Setting)
D	1.7-55 bar (28 bar Standard Setting)
E	1.7-28 bar (14 bar Standard Setting)
W	10.5-315 bar (70 bar Standard Setting)

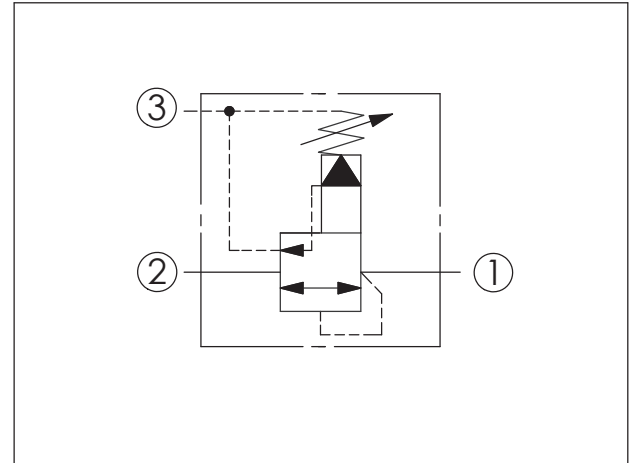
Z OPTIONS

L	Leakproof hex. socket screw.	
K	Handknob with Lock Knob.	
C	Stainless Steel Tamper Resistant Cover.	

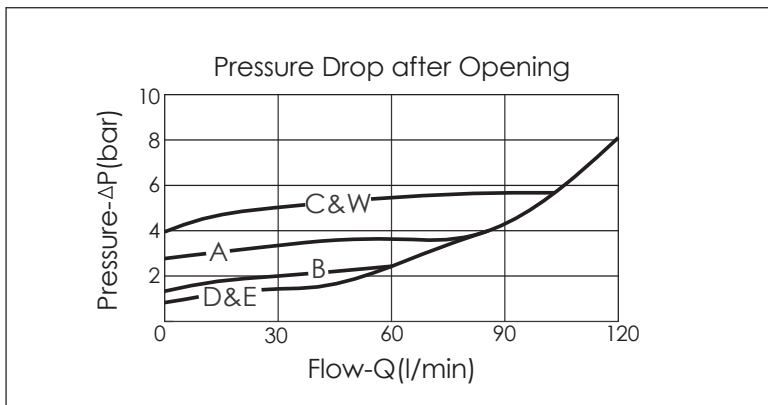
SEQUENCE VALVE (Pilot Operated, Kick-down)

Ordering Code: **SQ-2A-X-Y-Z**

UNIT:mm



TECHNICAL DATA		
Max. Setting:	420	bar
Rated flow:	120	l/min
Cavity-Tooling:	2A-3	
Installation torque:	60-70	Nm
Weight:	0.28 (Z:L)	kg



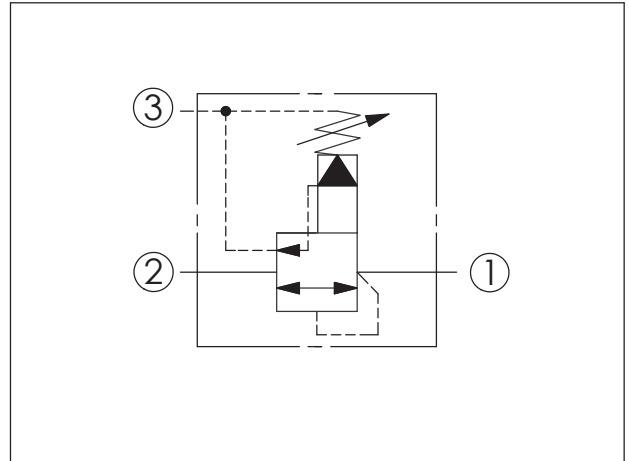
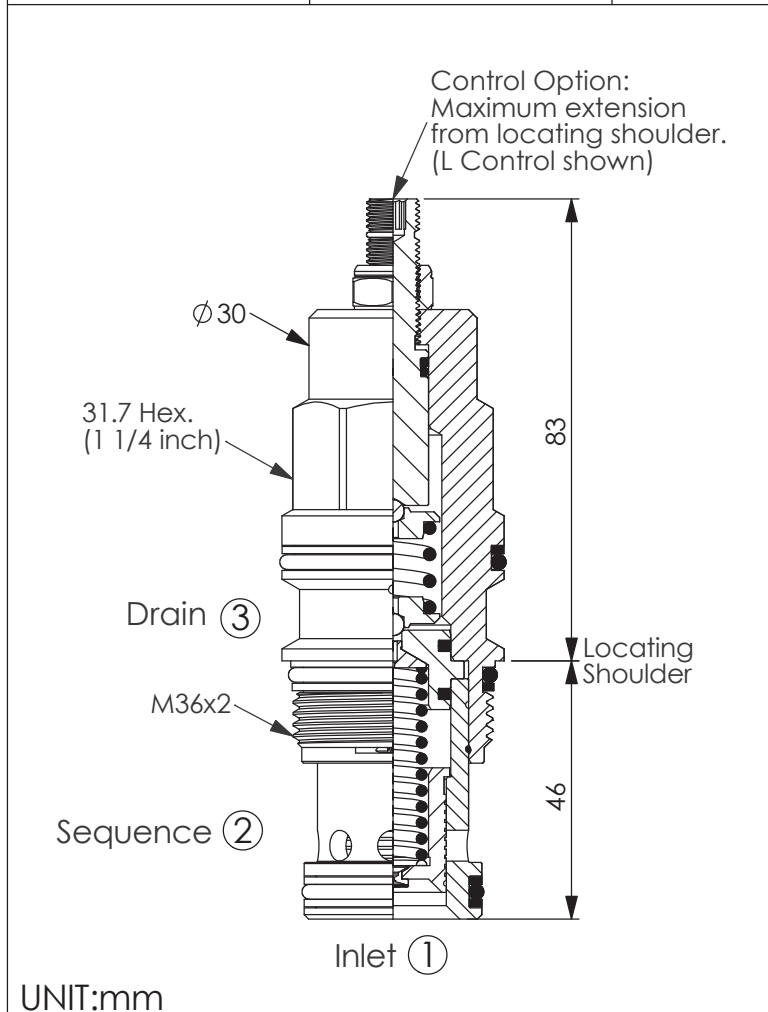
X	OPERATION	
30	Standard Type	
	<ul style="list-style-type: none"> Response Time-Typical (25 ms) Maximum Leakage (50 cc/min./70 bar) (46 cSt, 40°C) 	

Y	SPRINGS	
	ADJUSTMENT RANGES	
A	7-210 bar	(70 bar Standard Setting)
B	3.5-105 bar	(70 bar Standard Setting)
C	10.5-420 bar	(70 bar Standard Setting)
D	1.7-55 bar	(28 bar Standard Setting)
E	1.7-28 bar	(14 bar Standard Setting)
W	10.5-315 bar	(70 bar Standard Setting)

Z	OPTIONS	
L	Leakproof hex. socket screw.	
K	Handknob with Lock Knob.	
C	Stainless Steel Tamper Resistant Cover.	

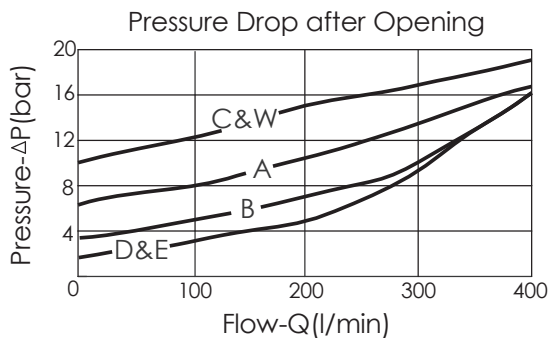
SEQUENCE VALVE (Pilot Operated, Kick-down)

Ordering Code: **SQ-17A-X-Y-Z**



TECHNICAL DATA

Max. Setting:	420	bar
Rated flow:	240	l/min
Cavity-Tooling:	17A-3	
Installation torque:	200-215	Nm
Weight:	0.61 (Z:L)	kg



X OPERATION

30 Standard Type

- Response Time-Typical (25 ms)
- Maximum Leakage (66 cc/min./70 bar)
(46 cSt, 40°C)

Y SPRINGS

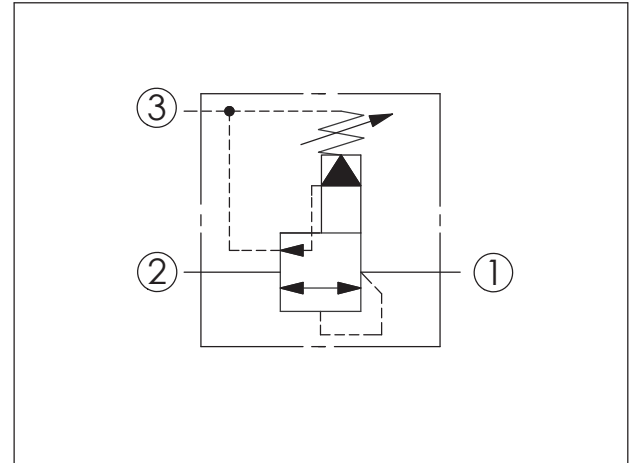
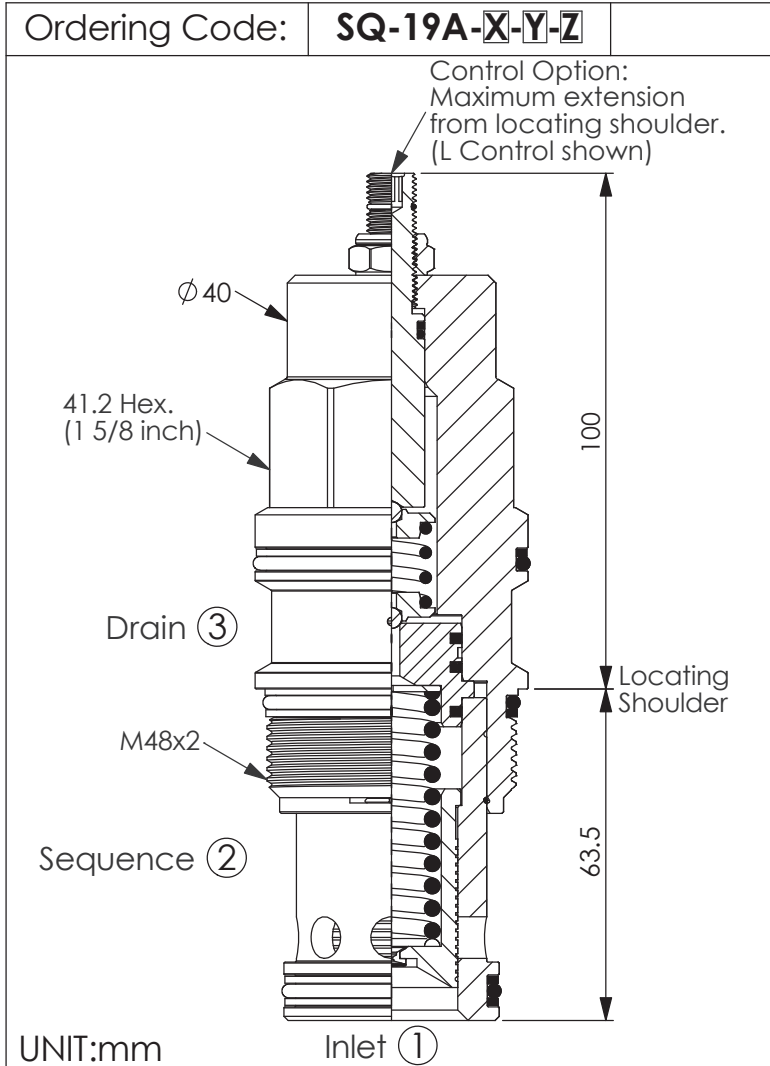
ADJUSTMENT RANGES

A	7-210 bar (70 bar Standard Setting)
B	3.5-105 bar (70 bar Standard Setting)
C	10.5-420 bar (70 bar Standard Setting)
D	1.7-55 bar (28 bar Standard Setting)
E	1.7-28 bar (14 bar Standard Setting)
W	10.5-315 bar (70 bar Standard Setting)

Z OPTIONS

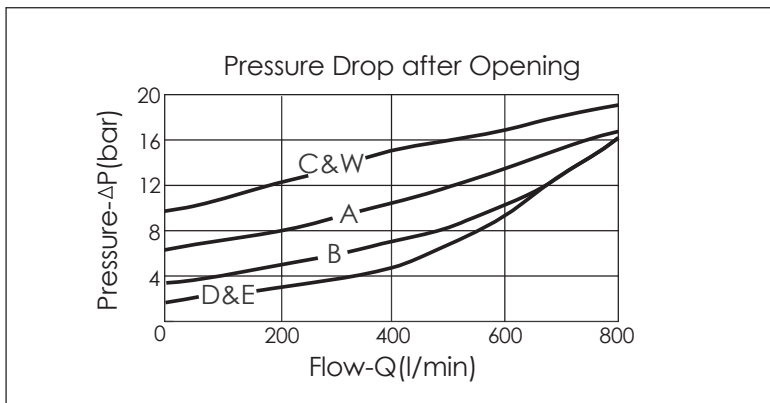
L	Leakproof hex. socket screw.	
K	Handknob with Lock Knob.	
C	Stainless Steel Tamper Resistant Cover.	

SEQUENCE VALVE (Pilot Operated, Kick-down)



TECHNICAL DATA

Max. Setting:	420	bar
Rated flow:	480	l/min
Cavity-Tooling:	19A-3	
Installation torque:	475-500	Nm
Weight:	1.42 (Z:L)	kg



X	OPERATION	
30	Standard Type	
<ul style="list-style-type: none"> Response Time-Typical (25 ms) Maximum Leakage (82 cc/min./70 bar) (46 cSt, 40°C) 		

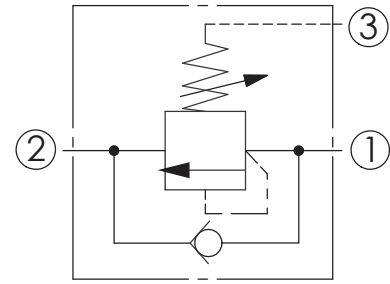
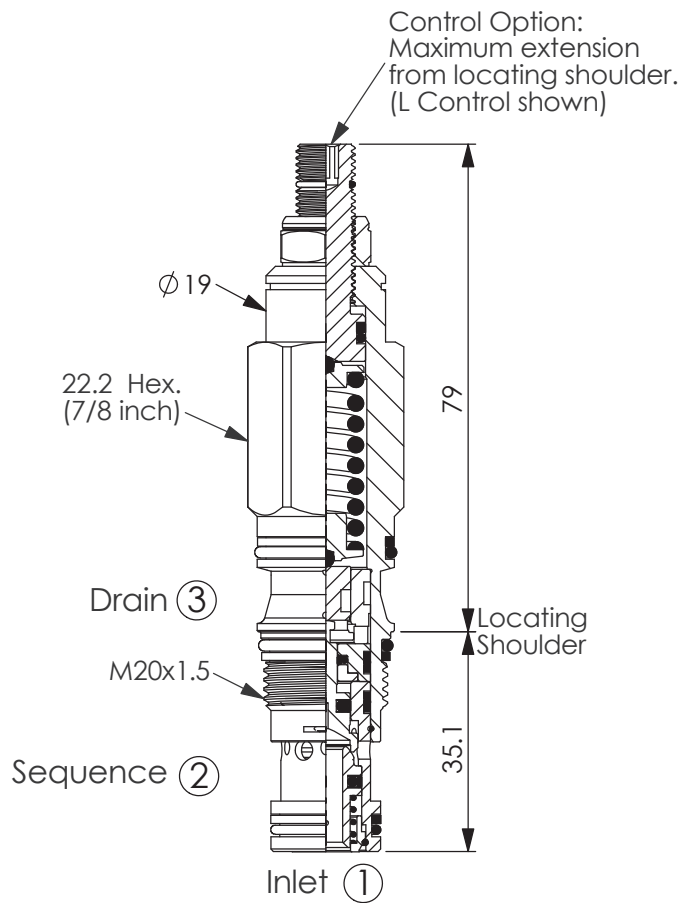
Y	SPRINGS	
	ADJUSTMENT RANGES	
A	7-210 bar	(70 bar Standard Setting)
B	3.5-105 bar	(70 bar Standard Setting)
C	10.5-420 bar	(70 bar Standard Setting)
D	1.7-55 bar	(28 bar Standard Setting)
E	1.7-28 bar	(14 bar Standard Setting)
W	10.5-315 bar	(70 bar Standard Setting)

Z	OPTIONS	
L	Leakproof hex. socket screw.	
K	Handknob with Lock Knob.	
C	Stainless Steel Tamper Resistant Cover.	

SEQUENCE VALVE

(Direct Acting with Reverse Flow Check)

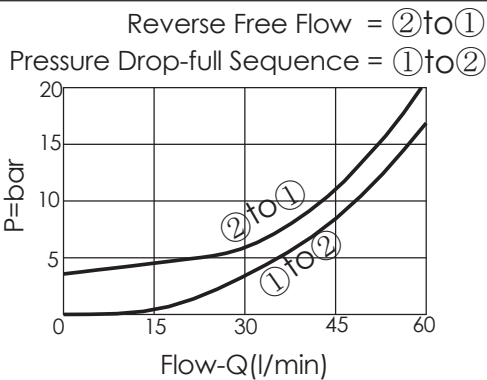
Ordering Code: **SC-11A-X-Y-Z**



TECHNICAL DATA

Max. Setting:	420	bar
Rated flow:	60	l/min
Cavity-Tooling:	11A-3	
Installation torque:	40-50	Nm
Weight:	0.20 (Z:L,LP)	kg

UNIT:mm



X OPERATION

30 Standard Type

Response Time-Typical (2 ms)
Maximum Leakage (0.3 cc/min./70 bar)
(46 cSt, 40°C)

Y

SPRINGS

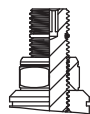


ADJUSTMENT RANGES

A	35-210 bar (70 bar Standard Setting)
B	20-105 bar (70 bar Standard Setting)
C	140-420 bar (140 bar Standard Setting)
D	14-55 bar (28 bar Standard Setting)
E	7-28 bar (14 bar Standard Setting)
W	55-315 bar (70 bar Standard Setting)

※ Port ② to Port ① Check Valve Cracking Pressure 2.8 bar

Z

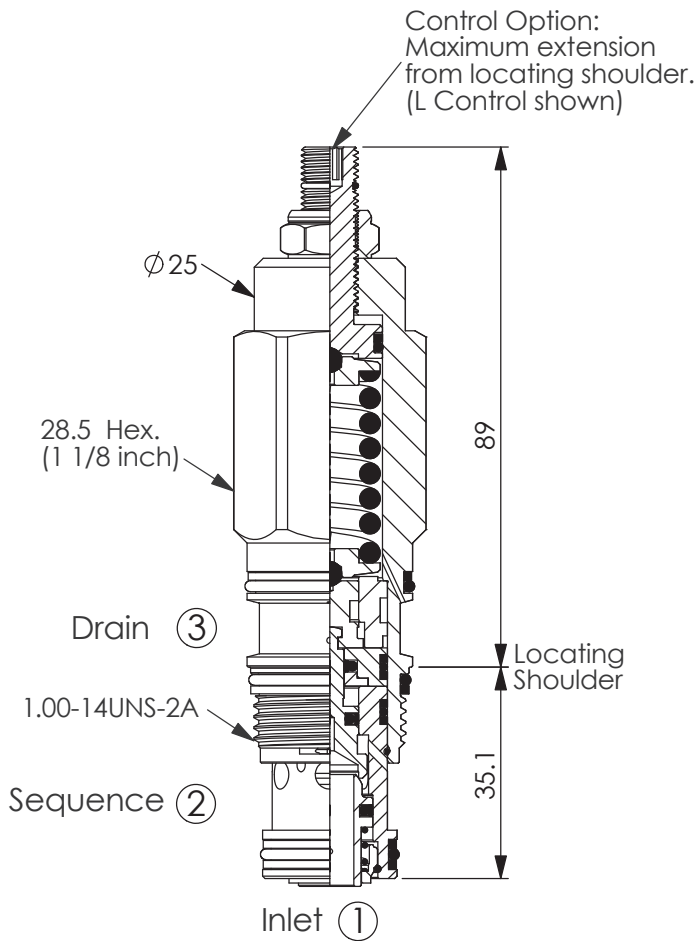
OPTIONS

L	Leakproof hex. socket screw.	
LP	Leakproof hex. socket screw. With stainless steel external metal components	
C	Stainless Steel Tamper Resistant Cover.	

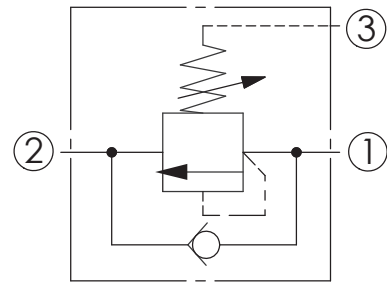
SEQUENCE VALVE

(Direct Acting with Reverse Flow Check)

Ordering Code: **SC-2A-X-Y-Z**

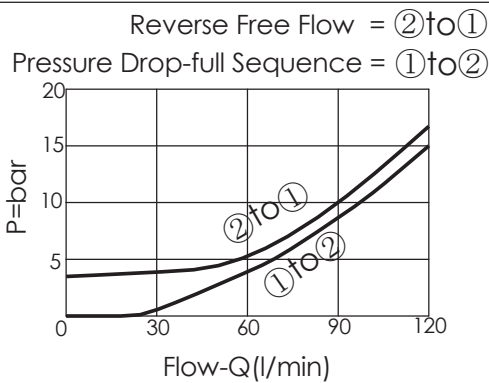


UNIT:mm



TECHNICAL DATA

Max. Setting:	420	bar
Rated flow:	120	l/min
Cavity-Tooling:	2A-3	
Installation torque:	60-70	Nm
Weight:	0.36 (Z:L)	kg



X OPERATION

30 Standard Type

Response Time-Typical (2 ms)
Maximum Leakage (0.3 cc/min./70 bar)
(46 cSt, 40°C)

Y SPRINGS

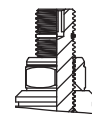
ADJUSTMENT RANGES

A	35-210 bar (70 bar Standard Setting)
B	20-105 bar (70 bar Standard Setting)
C	140-420 bar (140 bar Standard Setting)
D	14-55 bar (28 bar Standard Setting)
E	7-28 bar (14 bar Standard Setting)
W	55-315 bar (70 bar Standard Setting)

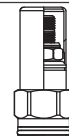
※ Port ② to Port ① Check Valve Cracking Pressure 2.8 bar

Z OPTIONS

L Leakproof hex. socket screw.



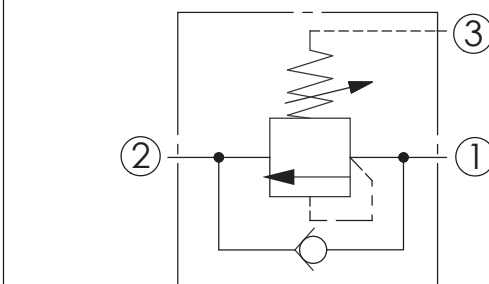
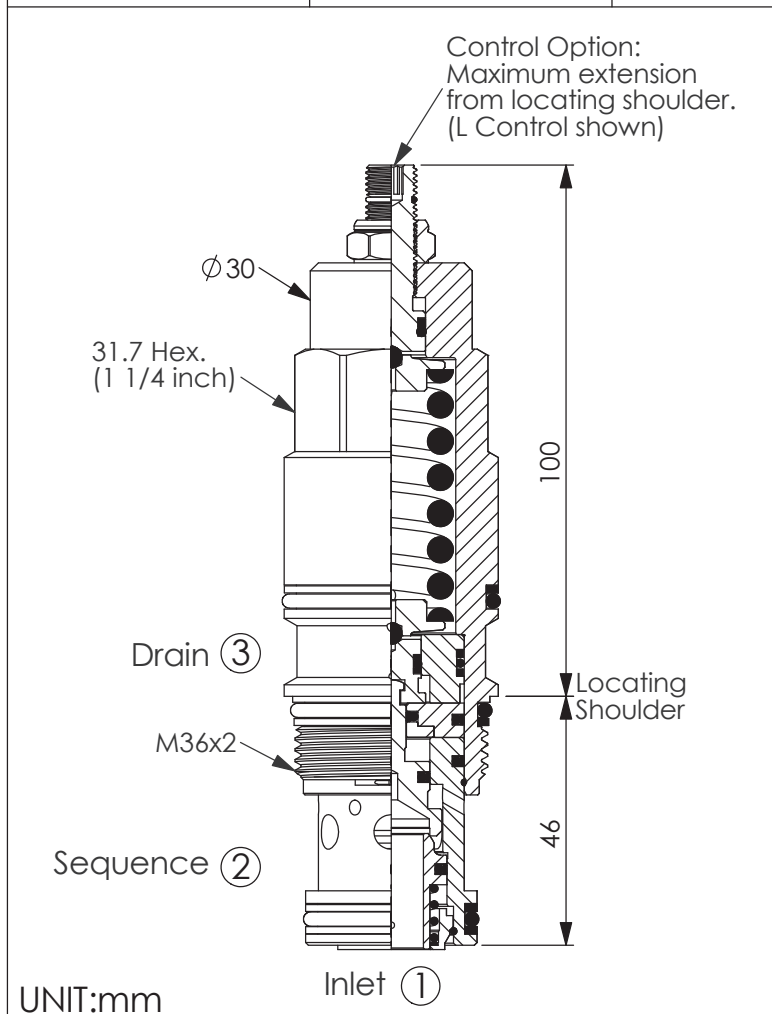
C Stainless Steel Tamper Resistant Cover.



SEQUENCE VALVE

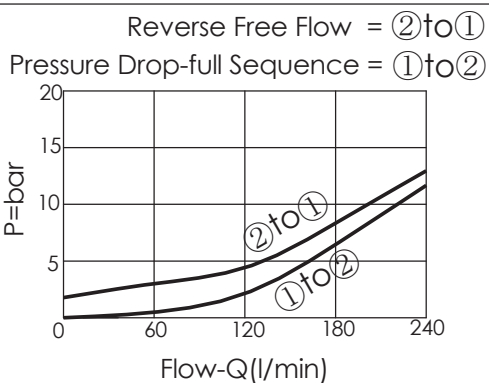
(Direct Acting with Reverse Flow Check)

Ordering Code: **SC-17A-X-Y-Z**



TECHNICAL DATA

Max. Setting:	420	bar
Rated flow:	240	l/min
Cavity-Tooling:	17A-3	
Installation torque:	200-215	Nm
Weight:	0.73 (Z:L)	kg



X OPERATION

30 Standard Type

Response Time-Typical (2 ms)
Maximum Leakage (0.3 cc/min./70 bar)
(46 cSt, 40°C)

Y

SPRINGS

ADJUSTMENT RANGES

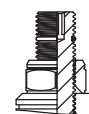
A	35-210 bar (70 bar Standard Setting)
B	20-105 bar (70 bar Standard Setting)
C	140-420 bar (140 bar Standard Setting)
D	14-55 bar (28 bar Standard Setting)
E	7-28 bar (14 bar Standard Setting)
W	55-315 bar (70 bar Standard Setting)

※ Port ② to Port ① Check Valve Cracking Pressure 2.8 bar

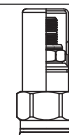
Z

OPTIONS

L Leakproof hex. socket screw.



C Stainless Steel Tamper Resistant Cover.

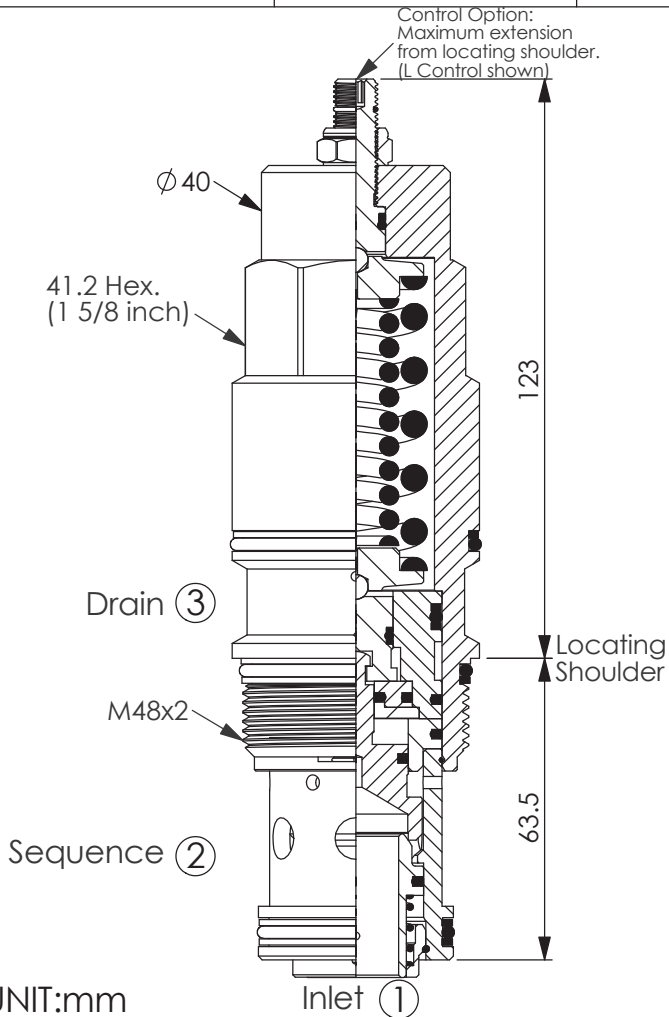


SEQUENCE VALVE

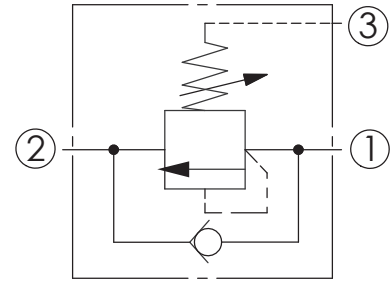
(Direct Acting with Reverse Flow Check)

Ordering Code: **SC-19A-X-Y-Z**

Control Option:
Maximum extension
from locating shoulder.
(L Control shown)

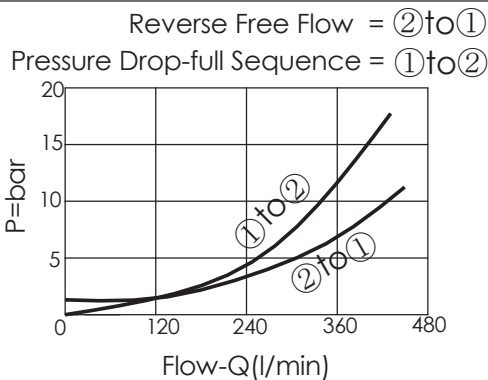


UNIT:mm



TECHNICAL DATA

Max. Setting:	420	bar
Rated flow:	480	l/min
Cavity-Tooling:	19A-3	
Installation torque:	465-500	Nm
Weight:	1.58 (Z:L)	kg



X OPERATION

30 Standard Type

Response Time-Typical (2 ms)
Maximum Leakage (0.3 cc/min./70 bar)
(46 cSt, 40°C)

Y

SPRINGS

ADJUSTMENT RANGES

A	35-210 bar (70 bar Standard Setting)
B	20-105 bar (70 bar Standard Setting)
C	140-420 bar (140 bar Standard Setting)
D	14-55 bar (28 bar Standard Setting)
E	7-28 bar (14 bar Standard Setting)
W	55-315 bar (70 bar Standard Setting)

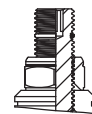
※ Port ② to Port ① Check Valve Cracking Pressure 2.8 bar

Z

OPTIONS

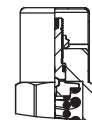
L

Leakproof hex. socket screw.



C

Stainless Steel Tamper Resistant Cover.



SEQUENCE VALVE (Direct Acting without Reverse Flow Check)

Ordering Code: **SD-11A-X-Y-Z**

Control Option:
Maximum extension
from locating shoulder.
(L Control shown)

Ø19

22.2 Hex.
(7/8 inch)

79

Drain ③

M20x1.5

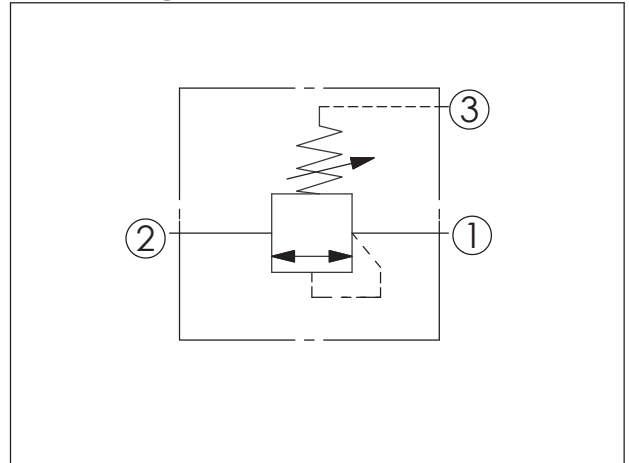
Sequence ②

Locating
Shoulder

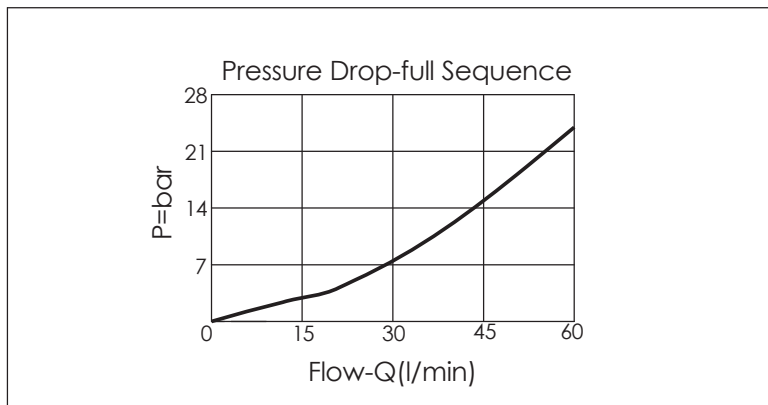
35.1

Inlet ①

UNIT:mm



TECHNICAL DATA		
Max. Setting:	420	bar
Rated flow:	60	l/min
Cavity-Tooling:	11A-3	
Installation torque:	40-50	Nm
Weight:	0.20 (Z:L)	kg



X	OPERATION	
30	Standard Type	
	<ul style="list-style-type: none"> Response Time-Typical (2 ms) Maximum Leakage (0.7 cc/min./70 bar) (46 cSt, 40°C) 	

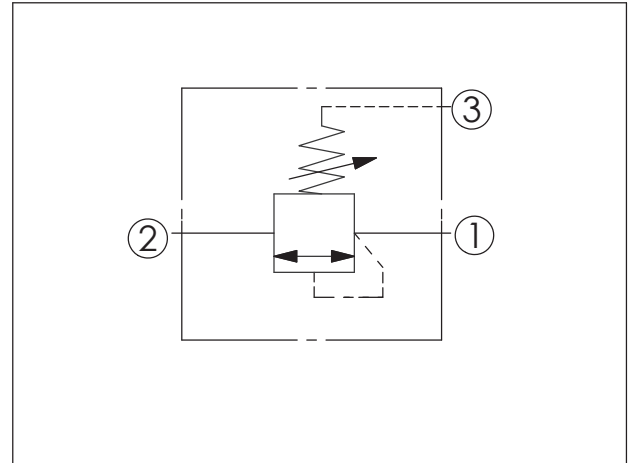
Y	SPRINGS	
	ADJUSTMENT RANGES	
A	35-210 bar	(70 bar Standard Setting)
B	20-105 bar	(70 bar Standard Setting)
C	140-420 bar	(140 bar Standard Setting)
D	14-55 bar	(28 bar Standard Setting)
E	7-28 bar	(14 bar Standard Setting)
W	55-315 bar	(70 bar Standard Setting)

Z	OPTIONS	
L	Leakproof hex. socket screw.	
C	Stainless Steel Tamper Resistant Cover.	

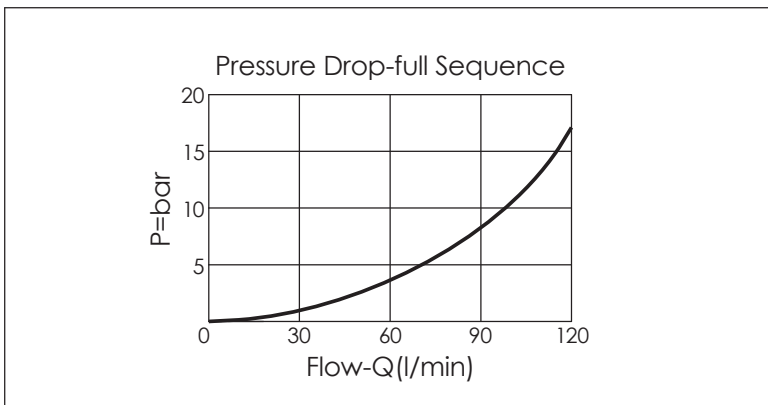
SEQUENCE VALVE (Direct Acting without Reverse Flow Check)

Ordering Code: **SD-2A-X-Y-Z**

UNIT:mm



TECHNICAL DATA		
Max. Setting:	420	bar
Rated flow:	120	l/min
Cavity-Tooling:	2A-3	
Installation torque:	60-70	Nm
Weight:	0.36 (Z:L)	kg

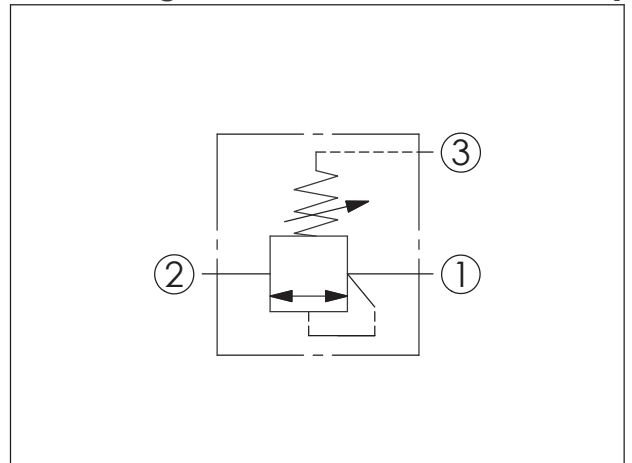
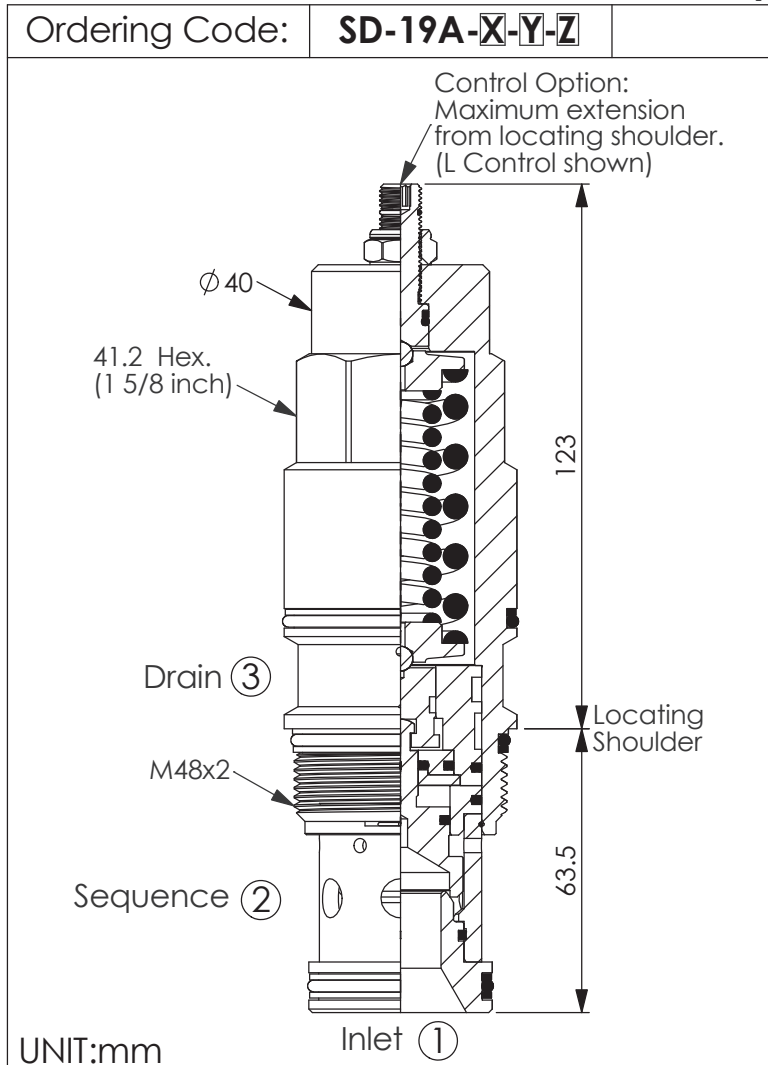


X	OPERATION	
30	Standard Type	
	<ul style="list-style-type: none"> Response Time-Typical (2 ms) Maximum Leakage (0.7 cc/min./70 bar) (46 cSt, 40°C) 	

Y	SPRINGS	
	ADJUSTMENT RANGES	
A	35-210 bar	(70 bar Standard Setting)
B	20-105 bar	(70 bar Standard Setting)
C	140-420 bar	(140 bar Standard Setting)
D	14-55 bar	(28 bar Standard Setting)
E	7-28 bar	(14 bar Standard Setting)
W	55-315 bar	(70 bar Standard Setting)

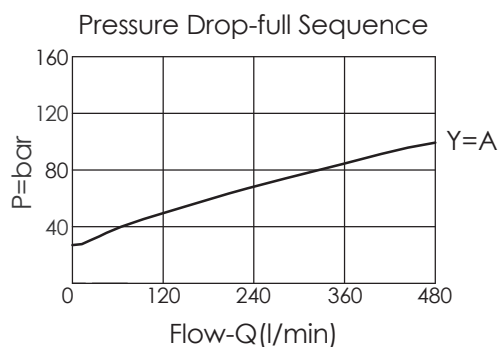
Z	OPTIONS	
L	Leakproof hex. socket screw.	
C	Stainless Steel Tamper Resistant Cover.	

SEQUENCE VALVE (Direct Acting without Reverse Flow Check)



TECHNICAL DATA

Max. Setting:	420	bar
Rated flow:	480	l/min
Cavity-Tooling:	19A-3	
Installation torque:	465-500	Nm
Weight:	1.57 (Z:L)	kg



X OPERATION

30 Standard Type

- Response Time-Typical (2 ms)
- Maximum Leakage (0.7 cc/min./70 bar)
(46 cSt, 40°C)

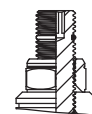
Y SPRINGS

ADJUSTMENT RANGES

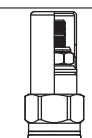
A	35-210 bar (70 bar Standard Setting)
B	20-105 bar (70 bar Standard Setting)
C	140-420 bar (140 bar Standard Setting)
D	14-55 bar (28 bar Standard Setting)
E	7-28 bar (14 bar Standard Setting)
W	55-315 bar (70 bar Standard Setting)

Z OPTIONS

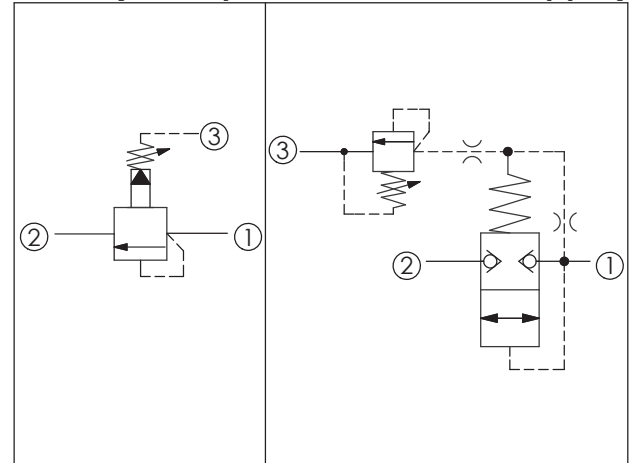
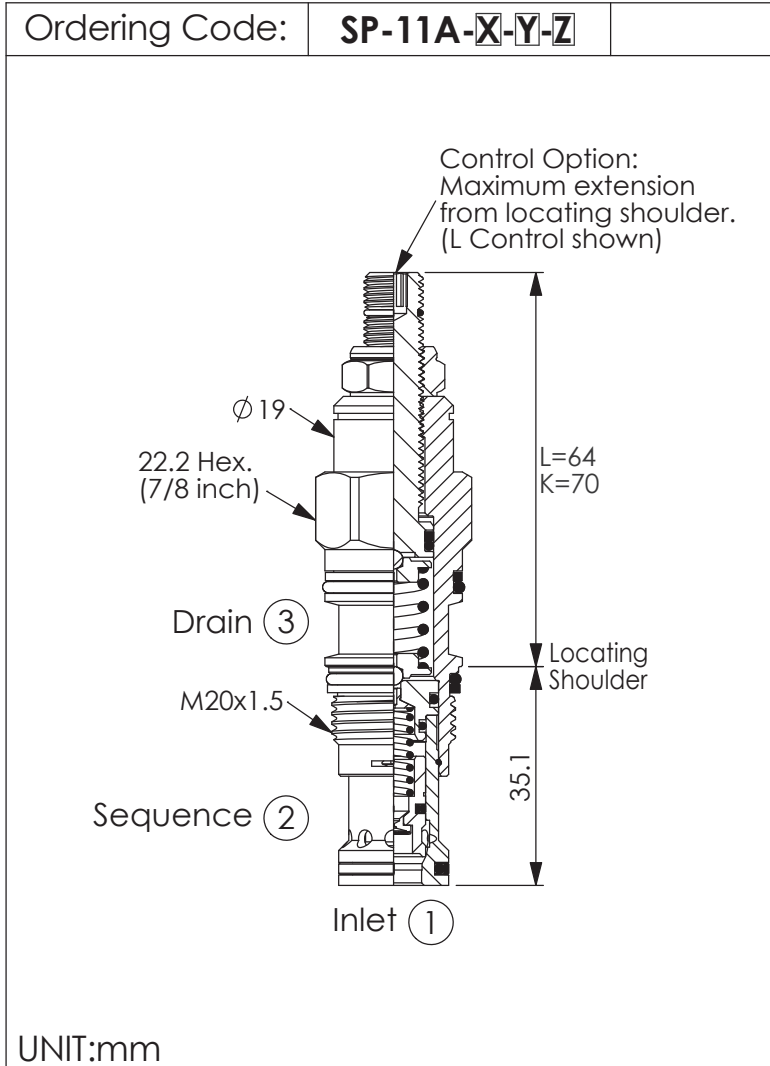
L Leakproof hex. socket screw.



C Stainless Steel Tamper Resistant Cover.

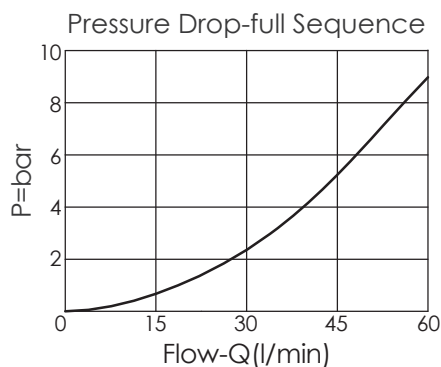


SEQUENCE VALVE (Pilot Operated, Balanced Poppet)



TECHNICAL DATA

Max. Operating pressure:	350	bar
Rated flow:	60	l/min
Cavity-Tooling:	11A-3	
Installation torque:	40-50	Nm
Weight:	0.16	kg



X

OPERATION

3G

Balanced Poppet

Maximum Leakage (0.7 cc/min.)
Dirt tolerant

Y

SPRINGS

ADJUSTMENT RANGES

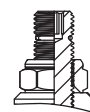
A	7 to 210 bar (70 bar Standard Setting)
B	3.5 to 105 bar (70 bar Standard Setting)
C	10.5 to 420 bar (70 bar Standard Setting)
N	4 to 55 bar (28 bar Standard Setting)
Q	4 to 28 bar (14 bar Standard Setting)
W	7 to 315 bar (70 bar Standard Setting)

Z

OPTIONS

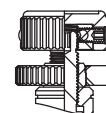
L

Leakproof hex.
socket screw.



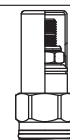
K

Handknob with
Lock Knob.



C

Stainless Steel
Tamper Resistant
Cover.



SEQUENCE VALVE (Pilot Operated, Balanced Poppet)

Ordering Code: **SP-2A-X-Y-Z**

Control Option:
Maximum extension
from locating shoulder.
(L Control shown)

28.5 Hex.
(1 1/8 inch)

Drain ③

1.00-14UNS-2A

Sequence ②

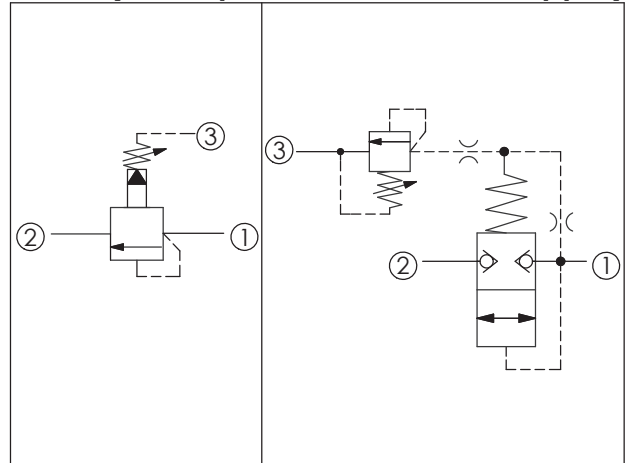
Inlet ①

Locating
Shoulder

L=71
K=78

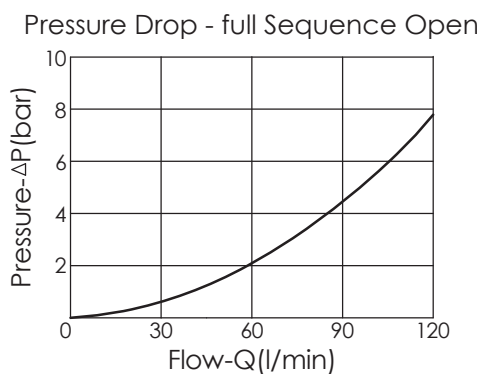
35.1

UNIT:mm



TECHNICAL DATA

Max. Operating pressure:	350	bar
Rated flow:	120	l/min
Cavity-Tooling:	2A-3	
Installation torque:	60-70	Nm
Weight:	0.29	kg



X OPERATION

3G Balanced Poppet

Maximum Leakage (0.7 cc/min.)
Dirt tolerant

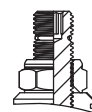
Y SPRINGS

ADJUSTMENT RANGES

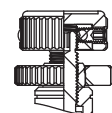
Y	ADJUSTMENT RANGES
A	7 to 210 bar (70 bar Standard Setting)
B	3.5 to 105 bar (70 bar Standard Setting)
C	10.5 to 420 bar (70 bar Standard Setting)
N	4 to 55 bar (14 bar Standard Setting)
Q	4 to 28 bar (14 bar Standard Setting)
W	10.5 to 315 bar (70 bar Standard Setting)

Z OPTIONS

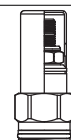
L Leakproof hex. socket screw.



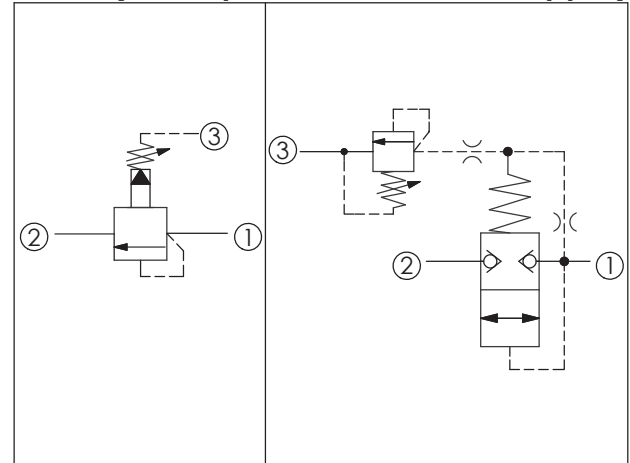
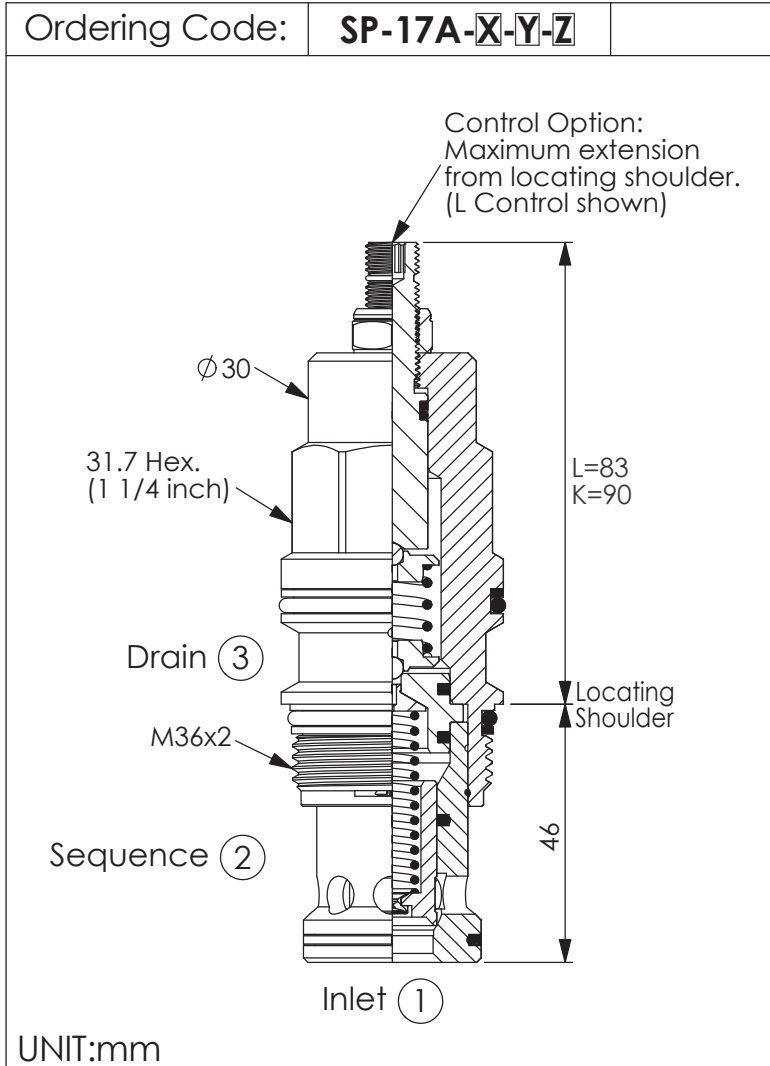
K Handknob with Lock Knob.



C Stainless Steel Tamper Resistant Cover.

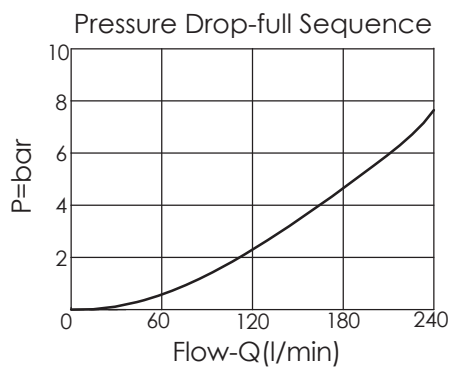


SEQUENCE VALVE (Pilot Operated, Balanced Poppet)



TECHNICAL DATA

Max. Operating pressure:	350	bar
Rated flow:	240	l/min
Cavity-Tooling:	17A-3	
Installation torque:	200-215	Nm
Weight:	0.63	kg



X

OPERATION

3G

Balanced Poppet

Maximum Leakage (0.7 cc/min.)
Dirt tolerant

Y

SPRINGS

ADJUSTMENT RANGES

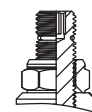
A	7 to 210 bar (70 bar Standard Setting)
B	3.5 to 105 bar (70 bar Standard Setting)
C	10.5 to 420 bar (70 bar Standard Setting)
N	4 to 55 bar (28 bar Standard Setting)
Q	4 to 28 bar (14 bar Standard Setting)
W	10.5 to 315 bar (70 bar Standard Setting)

Z

OPTIONS

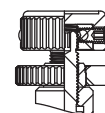
L

Leakproof hex. socket screw.



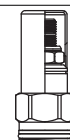
K

Handknob with Lock Knob.

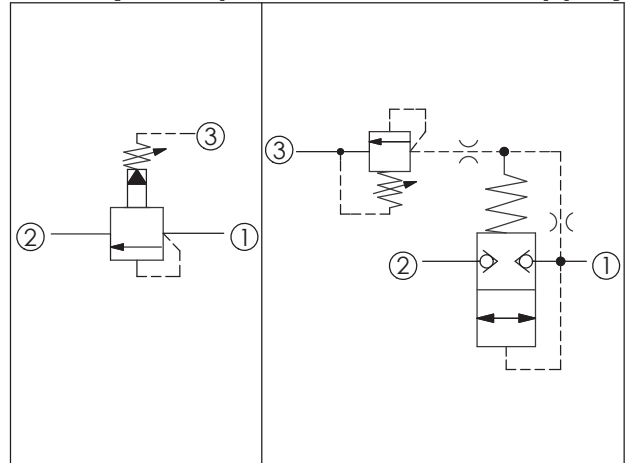
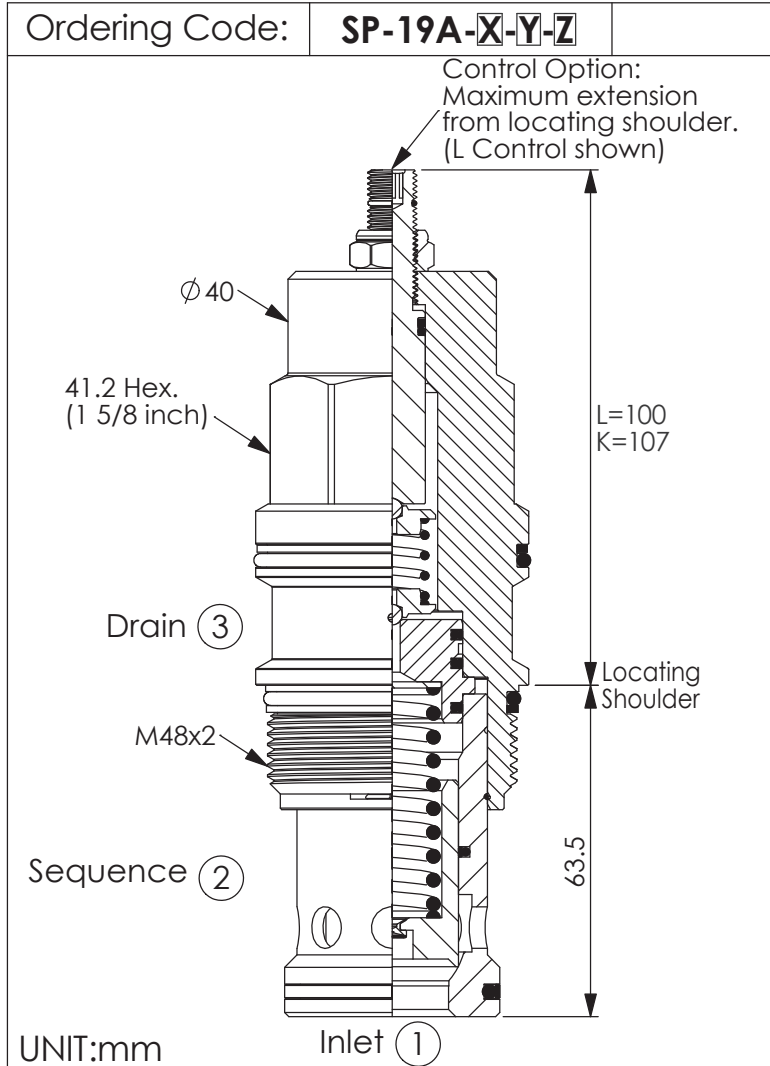


C

Stainless Steel Tamper Resistant Cover.

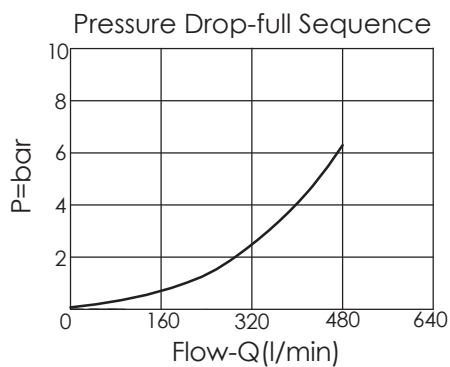


SEQUENCE VALVE (Pilot Operated, Balanced Poppet)



TECHNICAL DATA

Max. Operating pressure:	350	bar
Rated flow:	480	l/min
Cavity-Tooling:	19A-3	
Installation torque:	465-500	Nm
Weight:	1.43	kg



X OPERATION

3G Balanced Poppet

Maximum Leakage (0.7 cc/min.)
Dirt tolerant

Y	SPRINGS
ADJUSTMENT RANGES	
A	7 to 210 bar (70 bar Standard Setting)
B	3.5 to 105 bar (70 bar Standard Setting)
C	10.5 to 420 bar (70 bar Standard Setting)
N	4 to 55 bar (28 bar Standard Setting)
Q	4 to 28 bar (14 bar Standard Setting)
W	10.5 to 315 bar (70 bar Standard Setting)

Z OPTIONS

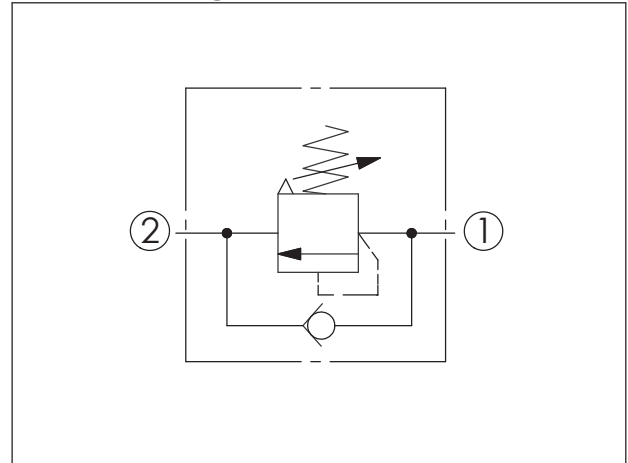
L	Leakproof hex. socket screw.	
K	Handknob with Lock Knob.	
C	Stainless Steel Tamper Resistant Cover.	

(Atmospherically Referenced Direct Acting with Reverse Flow Check)

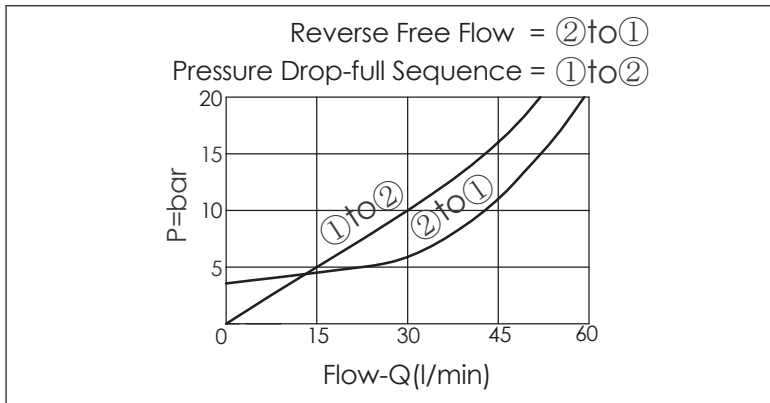
SEQUENCE VALVE

Ordering Code: **SC-13A-X-Y-Z**

UNIT:mm



TECHNICAL DATA		
Max. Setting:	420	bar
Rated flow:	60	l/min
Cavity-Tooling:	13A-2	
Installation torque:	40-50	Nm
Weight:	0.21 (Z:L,LP)	kg



X	OPERATION	
20	Standard Type	
<ul style="list-style-type: none"> Response Time-Typical (2 ms) Maximum Leakage (0.3 cc/min./70 bar) (46 cSt, 40°C) 		

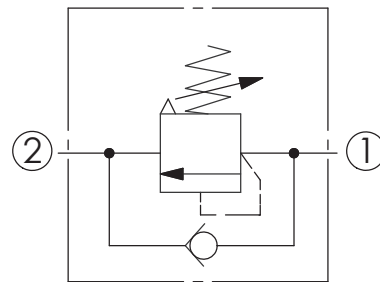
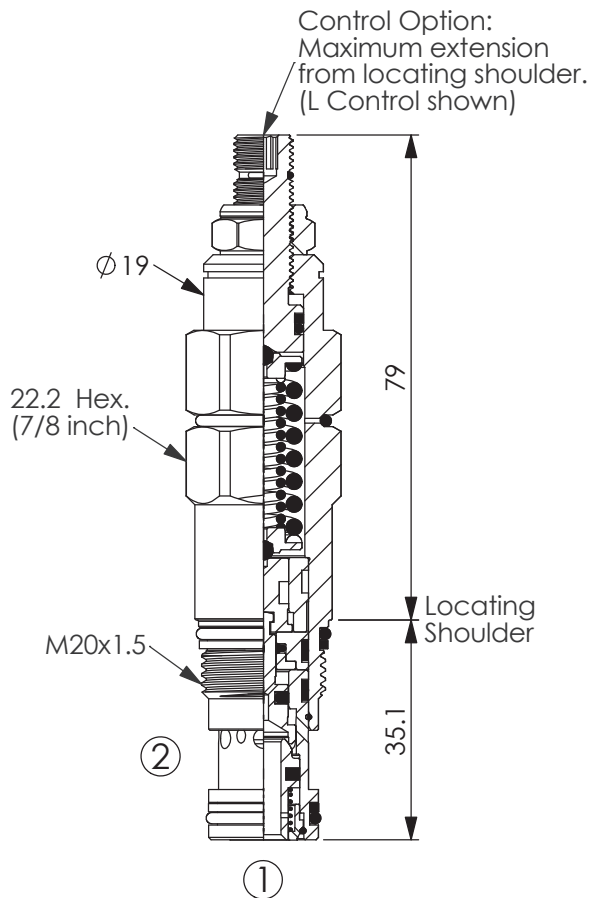
Y	SPRINGS	
	ADJUSTMENT RANGES	
A	35-210 bar	(70 bar Standard Setting)
B	20-105 bar	(70 bar Standard Setting)
C	140-420 bar	(140 bar Standard Setting)
D	14-55 bar	(28 bar Standard Setting)
E	7-28 bar	(14 bar Standard Setting)
W	55-315 bar	(70 bar Standard Setting)

Z	OPTIONS	
L	Leakproof hex. socket screw.	
LP	Leakproof hex. socket screw. With stainless steel external metal components	
C	Stainless Steel Tamper Resistant Cover.	

※ Port ② to Port ① Check Valve Cracking Pressure 2.8 bar

SEQUENCE VALVE (Atmospherically Referenced Direct Acting with Reverse Flow Check)

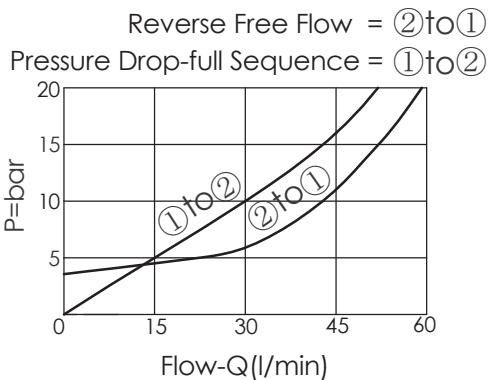
Ordering Code: **SC-13A-X-Y-Z-1**



TECHNICAL DATA

Max. Setting:	420	bar
Rated flow:	60	l/min
Cavity-Tooling:	13A-2	
Installation torque:	40-50	Nm
Weight:	0.21 (Z:L,LP)	kg

UNIT:mm



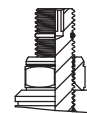
X OPERATION

20 Standard Type

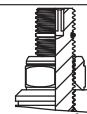
- Response Time-Typical (2 ms)
- Maximum Leakage (15 cc/min./70 bar)
(46 cSt, 40°C)

Z OPTIONS

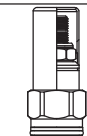
L Leakproof hex. socket screw.



LP Leakproof hex. socket screw. With stainless steel external metal components



C Stainless Steel Tamper Resistant Cover.



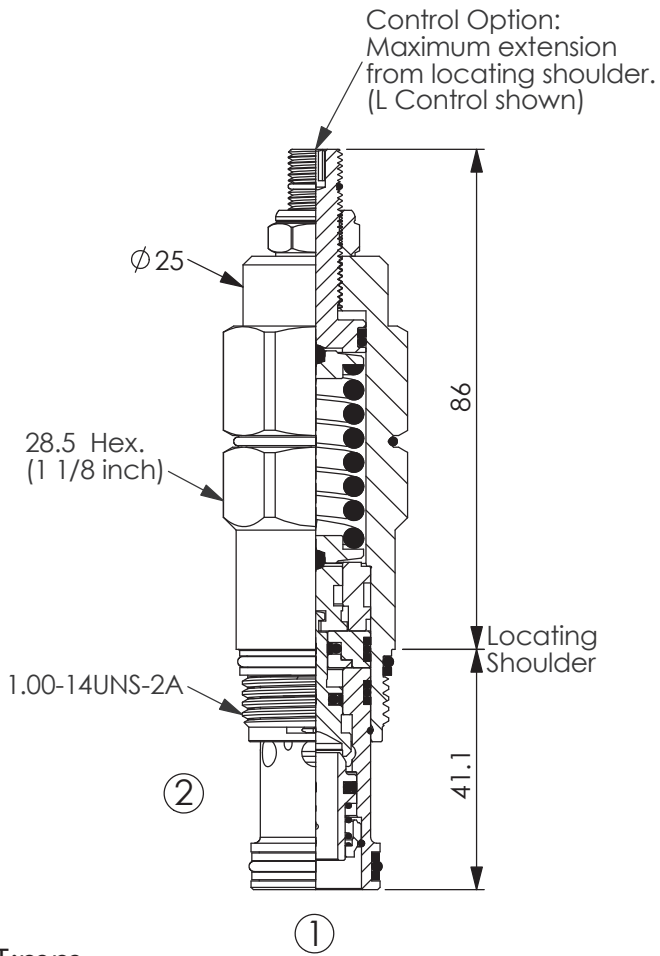
Y	SPRINGS	
	ADJUSTMENT RANGES	
A	35-210 bar (70 bar Standard Setting)	
B	20-105 bar (70 bar Standard Setting)	
C	140-420 bar (140 bar Standard Setting)	
D	14-55 bar (28 bar Standard Setting)	
E	7-28 bar (14 bar Standard Setting)	
W	55-315 bar (70 bar Standard Setting)	

※ Port ② to Port ① Check Valve Cracking Pressure 0.3 bar

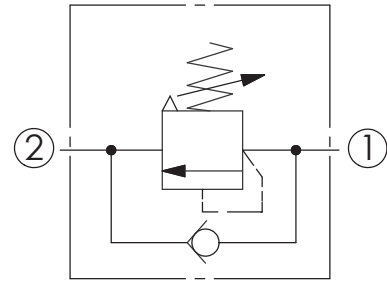
(Atmospherically Referenced Direct Acting with Reverse Flow Check)

SEQUENCE VALVE

Ordering Code: **SC-5A-X-Y-Z**

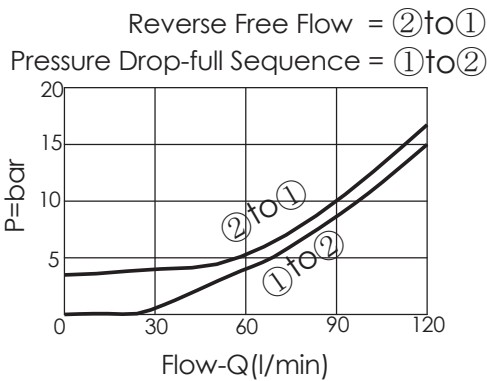


UNIT:mm



TECHNICAL DATA

Max. Setting:	420	bar
Rated flow:	120	l/min
Cavity-Tooling:	5A-2	
Installation torque:	60-70	Nm
Weight:	0.38 (Z:L)	kg



X OPERATION

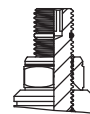
20 Standard Type

Response Time-Typical (2 ms)
Maximum Leakage (0.3 cc/min./70 bar)
(46 cSt, 40°C)

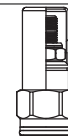
Y	SPRINGS	
	ADJUSTMENT RANGES	
A	35-210 bar	(70 bar Standard Setting)
B	20-105 bar	(70 bar Standard Setting)
C	140-420 bar	(140 bar Standard Setting)
D	14-55 bar	(28 bar Standard Setting)
E	7-28 bar	(14 bar Standard Setting)
W	55-315 bar	(70 bar Standard Setting)

Z OPTIONS

L Leakproof hex. socket screw.



C Stainless Steel Tamper Resistant Cover.

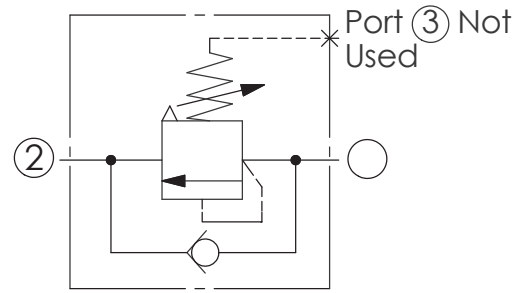
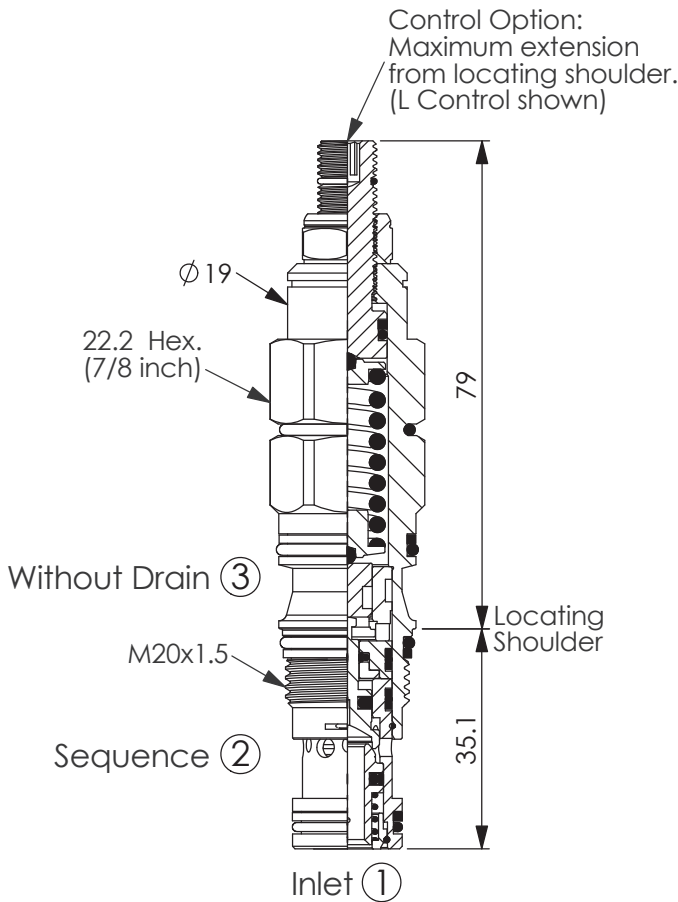


※ Port ② to Port ① Check Valve Cracking Pressure 2.8 bar

(Atmospherically Referenced Direct Acting with Reverse Flow Check)

SEQUENCE VALVE

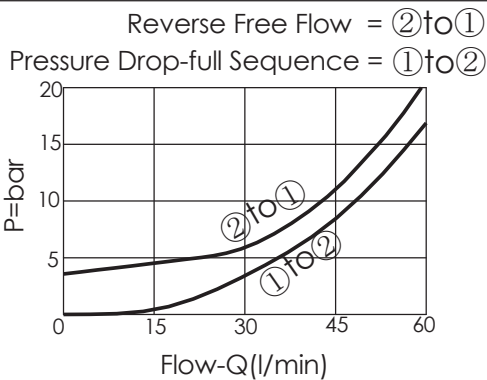
Ordering Code: **SC-11A-X-Y-Z**



TECHNICAL DATA

Max. Setting:	420	bar
Rated flow:	60	l/min
Cavity-Tooling:	11A-3	
Installation torque:	40-50	Nm
Weight:	0.20 (Z:L,LP)	kg

UNIT:mm



X OPERATION

20 Standard Type

Response Time-Typical (2 ms)
Maximum Leakage (0.7 cc/min./70 bar)
(46 cSt, 40°C)

Y

SPRINGS

ADJUSTMENT RANGES

A	35-210 bar (70 bar Standard Setting)
B	20-105 bar (70 bar Standard Setting)
C	140-420 bar (140 bar Standard Setting)
D	14-55 bar (28 bar Standard Setting)
E	7-28 bar (14 bar Standard Setting)
W	55-315 bar (70 bar Standard Setting)

※ Port ② to Port ① Check Valve Cracking Pressure 2.8 bar

Z

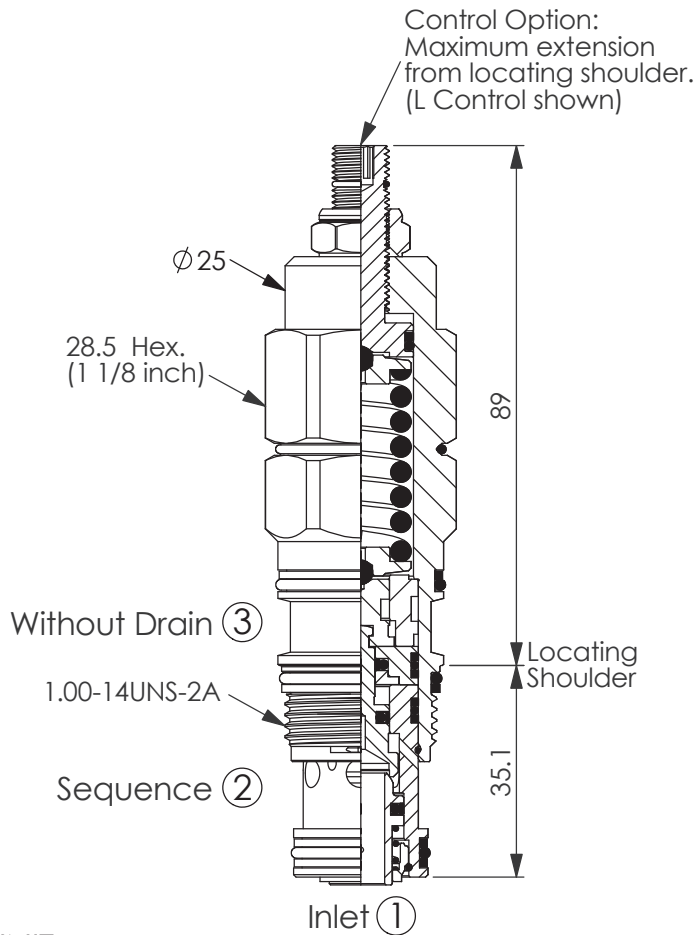
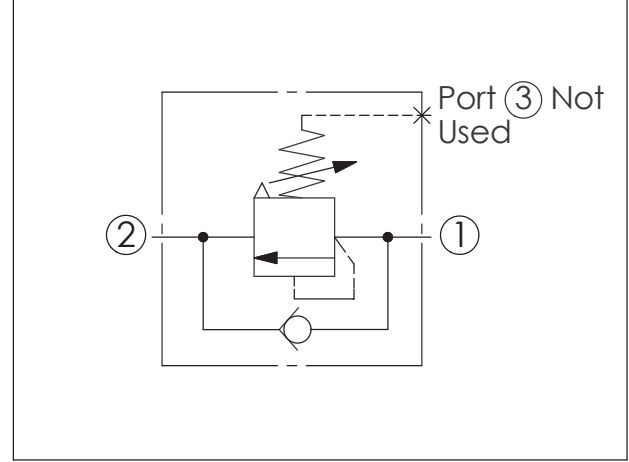
OPTIONS

L	Leakproof hex. socket screw.	
LP	Leakproof hex. socket screw. With stainless steel external metal components	
C	Stainless Steel Tamper Resistant Cover.	

SEQUENCE VALVE

(Atmospherically Referenced Direct Acting with Reverse Flow Check)

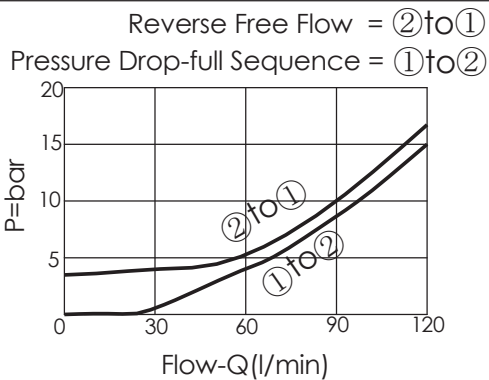
Ordering Code: **SC-2A-X-Y-Z**



UNIT:mm

TECHNICAL DATA

Max. Setting:	420	bar
Rated flow:	120	l/min
Cavity-Tooling:	2A-3	
Installation torque:	60-70	Nm
Weight:	0.36 (Z:L)	kg



X OPERATION

20 Standard Type

Response Time-Typical (2 ms)
Maximum Leakage (0.3 cc/min./70 bar)
(46 cSt, 40°C)

Y	SPRINGS	
	ADJUSTMENT RANGES	
A	35-210 bar	(70 bar Standard Setting)
B	20-105 bar	(70 bar Standard Setting)
C	140-420 bar	(140 bar Standard Setting)
D	14-55 bar	(28 bar Standard Setting)
E	7-28 bar	(14 bar Standard Setting)
W	55-315 bar	(70 bar Standard Setting)

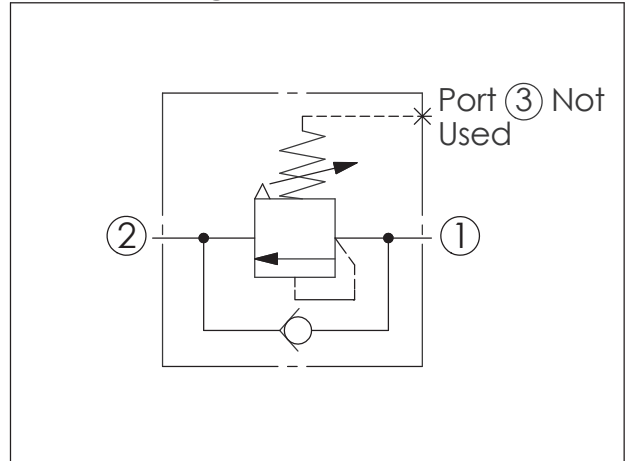
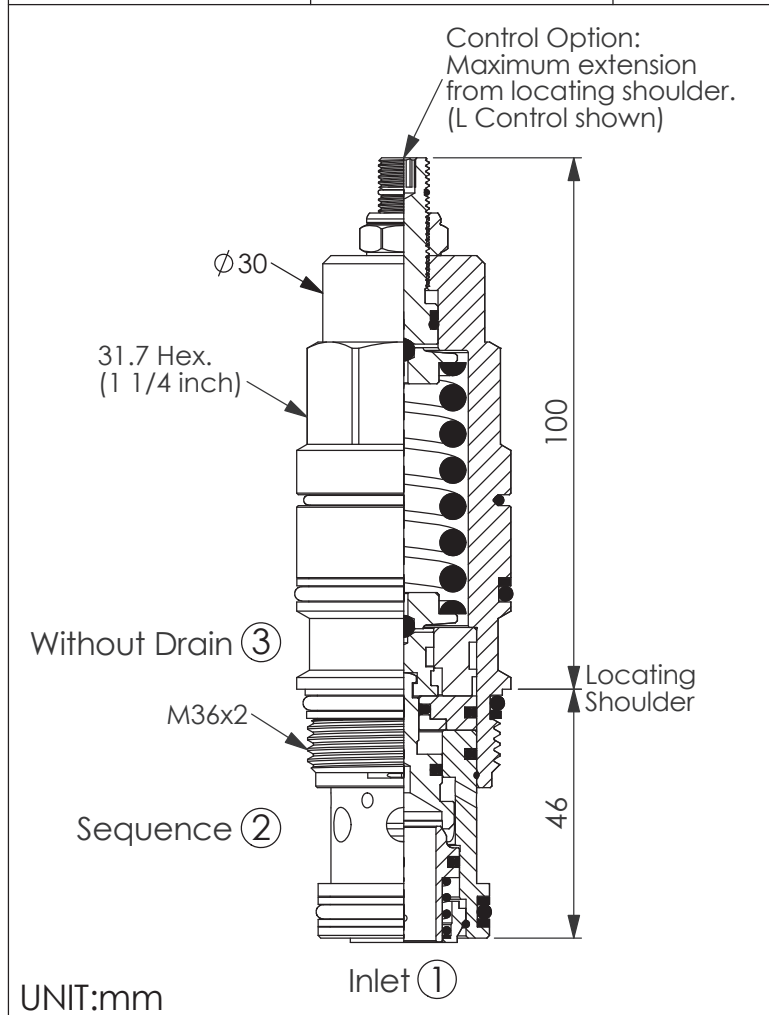
Z	OPTIONS	
L	Leakproof hex. socket screw.	
C	Stainless Steel Tamper Resistant Cover.	

※ Port ② to Port ① Check Valve Cracking Pressure 2.8 bar

SEQUENCE VALVE

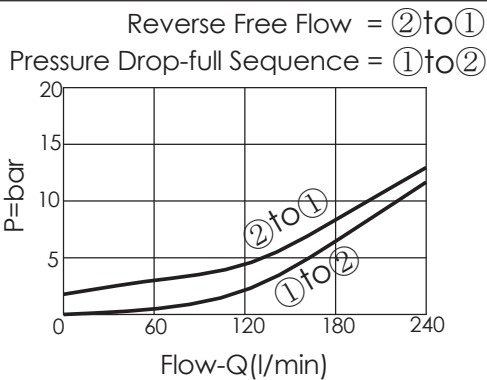
(Atmospherically Referenced Direct Acting with Reverse Flow Check)

Ordering Code: **SC-17A-X-Y-Z**



TECHNICAL DATA

Max. Setting:	420	bar
Rated flow:	240	l/min
Cavity-Tooling:	17A-3	
Installation torque:	200-215	Nm
Weight:	0.73 (Z:L)	kg



X OPERATION

20 Standard Type

Response Time-Typical (2 ms)
Maximum Leakage (0.3 cc/min./70 bar)
(46 cSt, 40°C)

Y SPRINGS

ADJUSTMENT RANGES

A	35-210 bar (70 bar Standard Setting)
B	20-105 bar (70 bar Standard Setting)
C	140-420 bar (140 bar Standard Setting)
D	14-55 bar (28 bar Standard Setting)
E	7-28 bar (14 bar Standard Setting)
W	55-315 bar (70 bar Standard Setting)

※ Port ② to Port ① Check Valve Cracking Pressure 2.8 bar

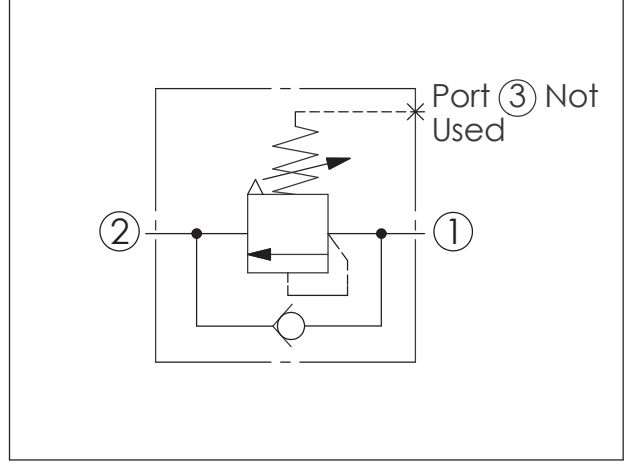
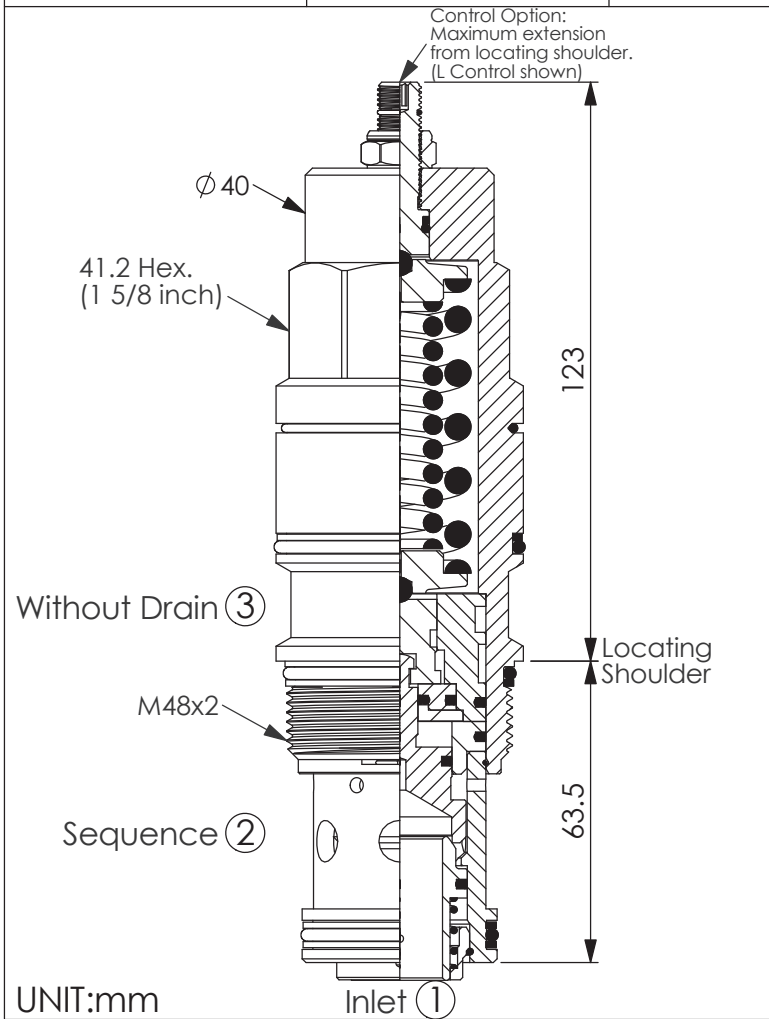
Z OPTIONS

L	Leakproof hex. socket screw.	
C	Stainless Steel Tamper Resistant Cover.	

SEQUENCE VALVE

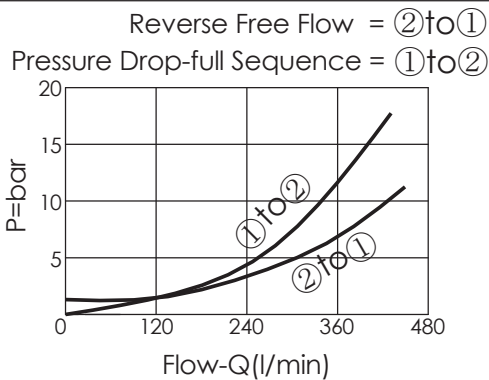
(Atmospherically Referenced Direct Acting with Reverse Flow Check)

Ordering Code: **SC-19A-X-Y-Z**



TECHNICAL DATA

Max. Setting:	420	bar
Rated flow:	480	l/min
Cavity-Tooling:	19A-3	
Installation torque:	465-500	Nm
Weight:	1.58 (Z:L)	kg



X OPERATION

20 Standard Type

Response Time-Typical (2 ms)
Maximum Leakage (0.3 cc/min./70 bar)
(46 cSt, 40°C)

Y

SPRINGS

ADJUSTMENT RANGES

A	35-210 bar (70 bar Standard Setting)
B	20-105 bar (70 bar Standard Setting)
C	140-420 bar (140 bar Standard Setting)
D	14-55 bar (28 bar Standard Setting)
E	7-28 bar (14 bar Standard Setting)
W	55-315 bar (70 bar Standard Setting)

※ Port ② to Port ① Check Valve Cracking Pressure 2.8 bar

Z

OPTIONS

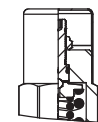
L

Leakproof hex. socket screw.



C

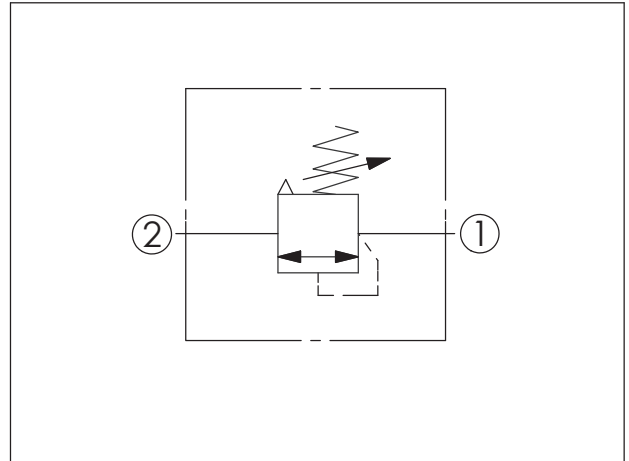
Stainless Steel Tamper Resistant Cover.



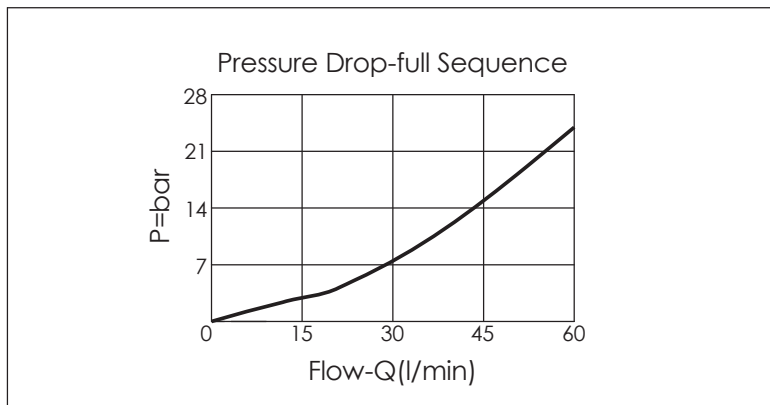
SEQUENCE VALVE (Atmospherically Referenced, Direct Acting without Reverse Flow Check)

Ordering Code: **SD-13A-X-Y-Z**

UNIT:mm



TECHNICAL DATA		
Max. Setting:	420	bar
Rated flow:	60	l/min
Cavity-Tooling:	13A-2	
Installation torque:	40-50	Nm
Weight:	0.21 (Z:L)	kg



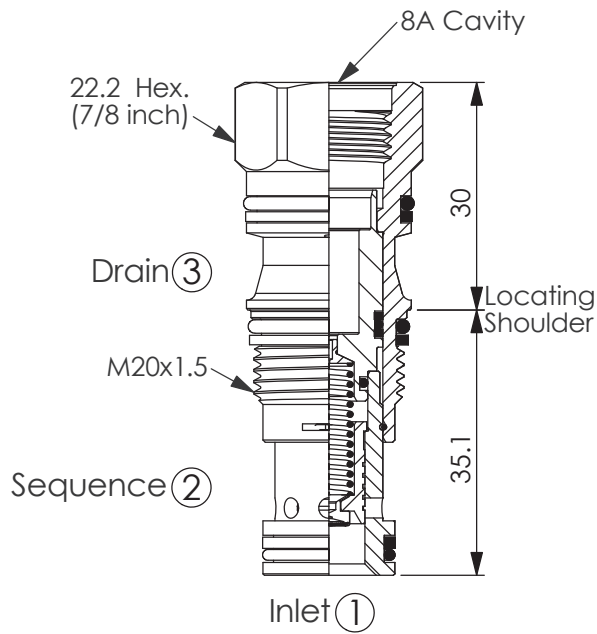
X	OPERATION	
20	Standard Type	
<ul style="list-style-type: none"> Response Time-Typical (2 ms) Maximum Leakage (0.7 cc/min./70 bar) (46 cSt, 40°C) 		

Y	SPRINGS	
	ADJUSTMENT RANGES	
A	35-210 bar	(70 bar Standard Setting)
B	20-105 bar	(70 bar Standard Setting)
C	140-420 bar	(140 bar Standard Setting)
D	14-55 bar	(28 bar Standard Setting)
E	7-28 bar	(14 bar Standard Setting)
W	55-315 bar	(70 bar Standard Setting)

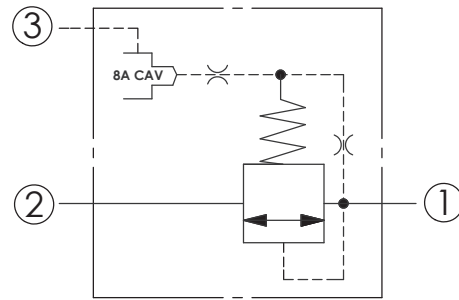
Z	OPTIONS	
L	Leakproof hex. socket screw.	
C	Stainless Steel Tamper Resistant Cover.	

(Ventable, balanced piston relief main stage with integral 8A control cavity)

Ordering Code: **RV-11A-X-Y-8**



UNIT:mm



TECHNICAL DATA

Max. Operating pressure: 350 bar

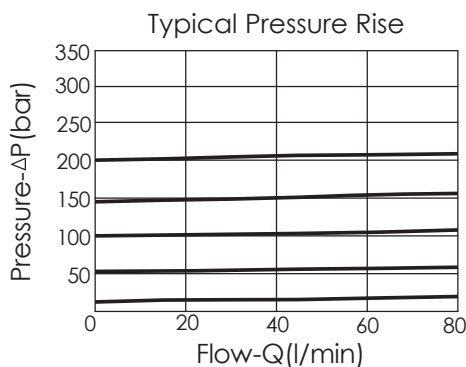
Rated flow: 60 l/min

Cavity-Tooling: 11A-3

Installation torque: 40-50 Nm

Weight: 0.10 kg

Will accept maximum pressure at port 2; suitable for use in cross port relief circuits. If used in cross port relief circuits, consider pool leakage.



X

OPERATION

30

Standard Type

Response Time-Typical (10 ms)
Maximum Leakage (33 cc/min./70 bar)

Y

SPRINGS

MINIMUM CONTROL PRESSURE

D

1.7 bar (25 psi)

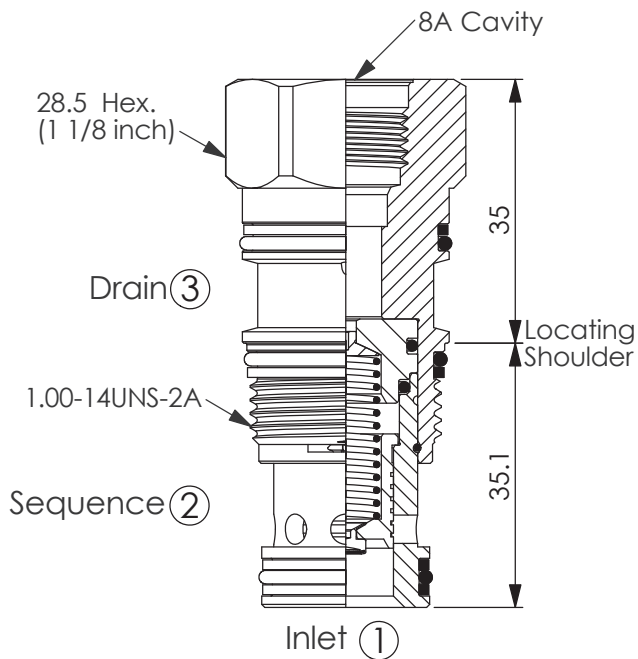
W

7 bar (100 psi)

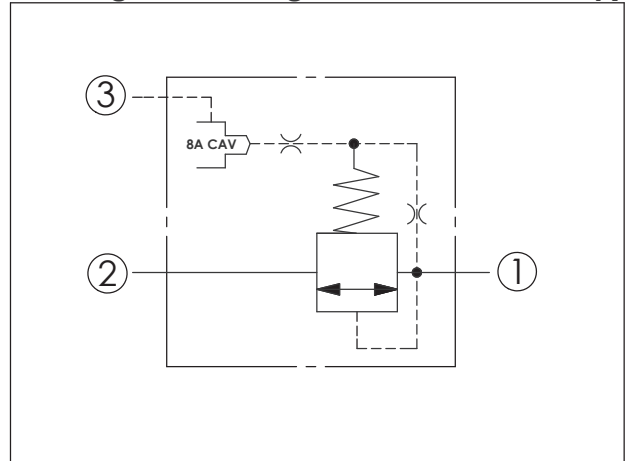
W spring is suit for higher pressure drop application. Please consult our sales department.

(Ventable, balanced piston relief main stage with integral 8A control cavity)

Ordering Code: **RV-2A-X-Y-8**



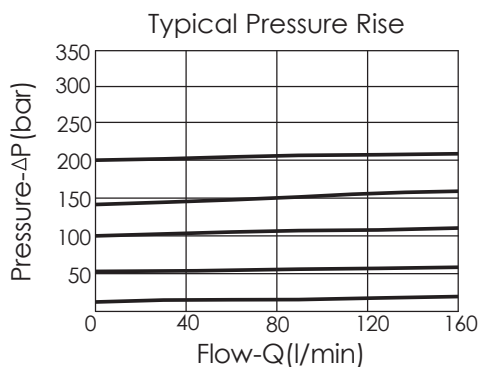
UNIT:mm



TECHNICAL DATA

Max. Operating pressure:	350	bar
Rated flow:	120	l/min
Cavity-Tooling:	2A-3	
Installation torque:	60-70	Nm
Weight:	0.20	kg

Will accept maximum pressure at port 2; suitable for use in cross port relief circuits. If used in cross port relief circuits, consider spool leakage.



X OPERATION

30	Standard Type
Response Time-Typical (10 ms) Maximum Leakage (50 cc/min./70 bar)	

Y

SPRINGS

MINIMUM CONTROL PRESSURE

D

1.7 bar (25 psi)

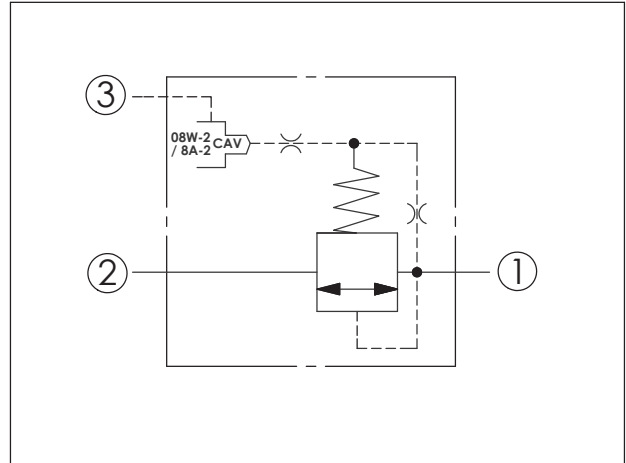
W

7 bar (100 psi)

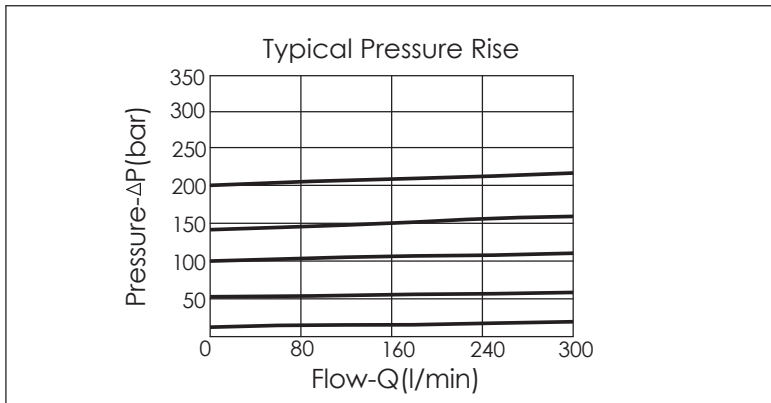
W spring is suit for higher pressure drop application. Please consult our sales department.

Ordering Code: **RV-17A-X-Y-8**

UNIT:mm



TECHNICAL DATA	
Max. Operating pressure:	350 bar
Rated flow:	240 l/min
Cavity-Tooling:	17A-3
Installation torque:	200-215 Nm
Weight:	0.49 kg
Will accept maximum pressure at port 2; suitable for use in cross port relief circuits. If used in cross port relief circuits, consider pool leakage.	



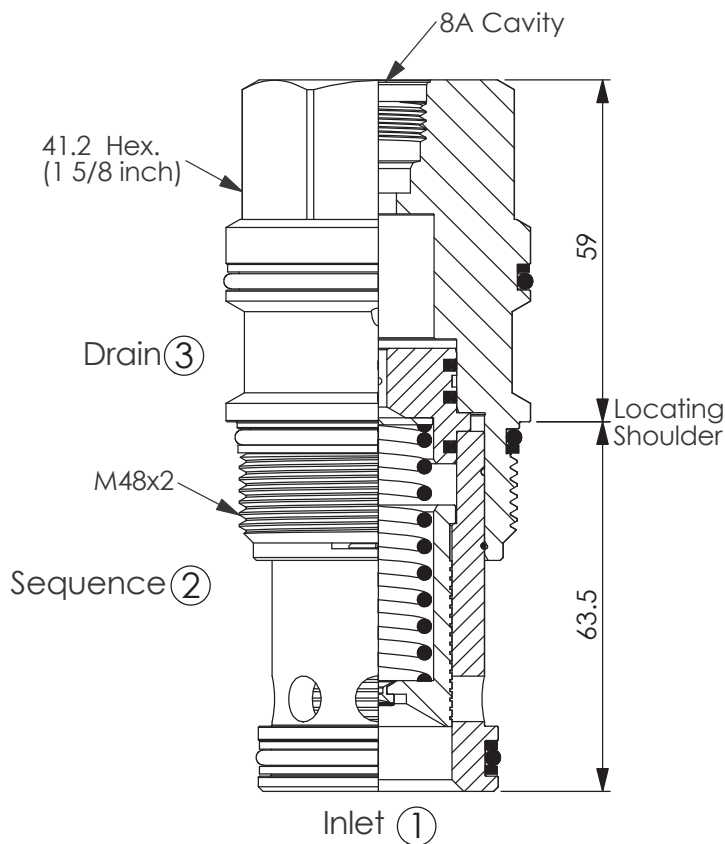
X	OPERATION
30	Standard Type
Response Time-Typical (10 ms) Maximum Leakage (66 cc/min./70 bar)	

Y	SPRINGS
D	MINIMUM CONTROL PRESSURE 1.7 bar (25 psi)
W	7 bar (100 psi)
W spring is suit for higher pressure drop application. Please consult our sales department.	

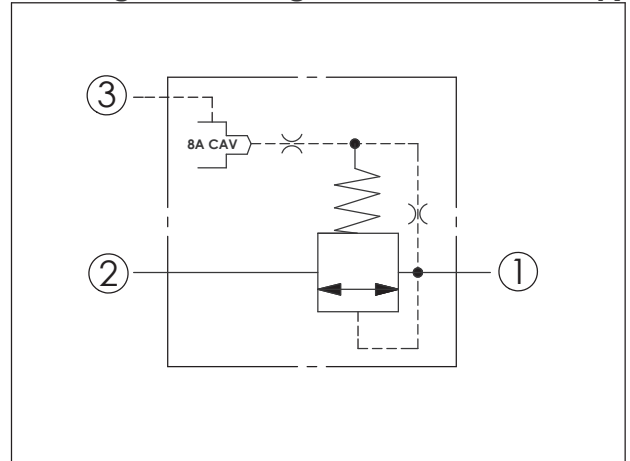
--	--

(Ventable, balanced piston relief main stage with integral 8A control cavity)

Ordering Code: **RV-19A-X-Y-8**



UNIT:mm



TECHNICAL DATA

Max. Operating pressure: 350 bar

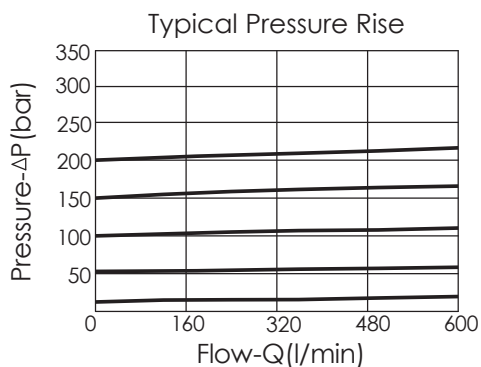
Rated flow: 480 l/min

Cavity-Tooling: 19A-3

Installation torque: 475-500 Nm

Weight: 1.19 kg

Will accept maximum pressure at port 2; suitable for use in cross port relief circuits. If used in cross port relief circuits, consider spool leakage.



X OPERATION

30 Standard Type

Response Time-Typical (10 ms)
Maximum Leakage (82 cc/min./70 bar)

Y

SPRINGS

MINIMUM CONTROL PRESSURE

D

1.7 bar (25 psi)

W

7 bar (100 psi)

W spring is suit for higher pressure drop application. Please consult our sales department.

CENTRALA ELBLĄG

Ul. Rawska 19B
82-300 Elbląg

tel. /+48/ 55 625 51 00

fax /+48/ 55 625 51 01

Dział Handlowy

tel. /+48/ 55 625 51 51

elblag@hydropress.pl



www.hydropress.pl

ODDZIAŁ GDAŃSK

tel. /+48/ 55 625 51 21

fax /+48/ 55 625 51 22

ODDZIAŁ RUMIA

tel. /+48/ 58 679 34 15

fax /+48/ 55 625 51 25

ODDZIAŁ TYCHY

tel. /+48/ 32 787 52 88

fax /+48/ 55 625 51 38

ODDZIAŁ OLSZTYN

tel. /+48/ 89 532 01 05

fax /+48/ 89 715 21 42

ODDZIAŁ WARSZAWA

tel. /+48/ 22 468 86 97

fax /+48/ 55 625 51 32

BIURO WE WROCŁAWIU

tel. /+48/ 782 838 000

fax /+48/ 55 625 51 35

BIURO W KIELCACH

tel. /+48/ 885 995 501

fax /+48/ 55 625 51 01

BIURO W KRAKOWIE

tel. /+48/ 885 995 019

fax /+48/ 55 625 51 01

BIURO W OPOLU

tel. /+48/ 885 995 011

fax /+48/ 55 625 51 01

BIURO W BYDGOSZCZY

tel. /+48/ 790 222 771

fax /+48/ 55 625 51 01

BIURO W BIAŁYMSTOKU

tel. /+48/ 89 532 01 05

fax /+48/ 89 715 21 42

BIURO W ŁODZI

tel. /+48/ 609 221 421

fax /+48/ 89 715 21 42